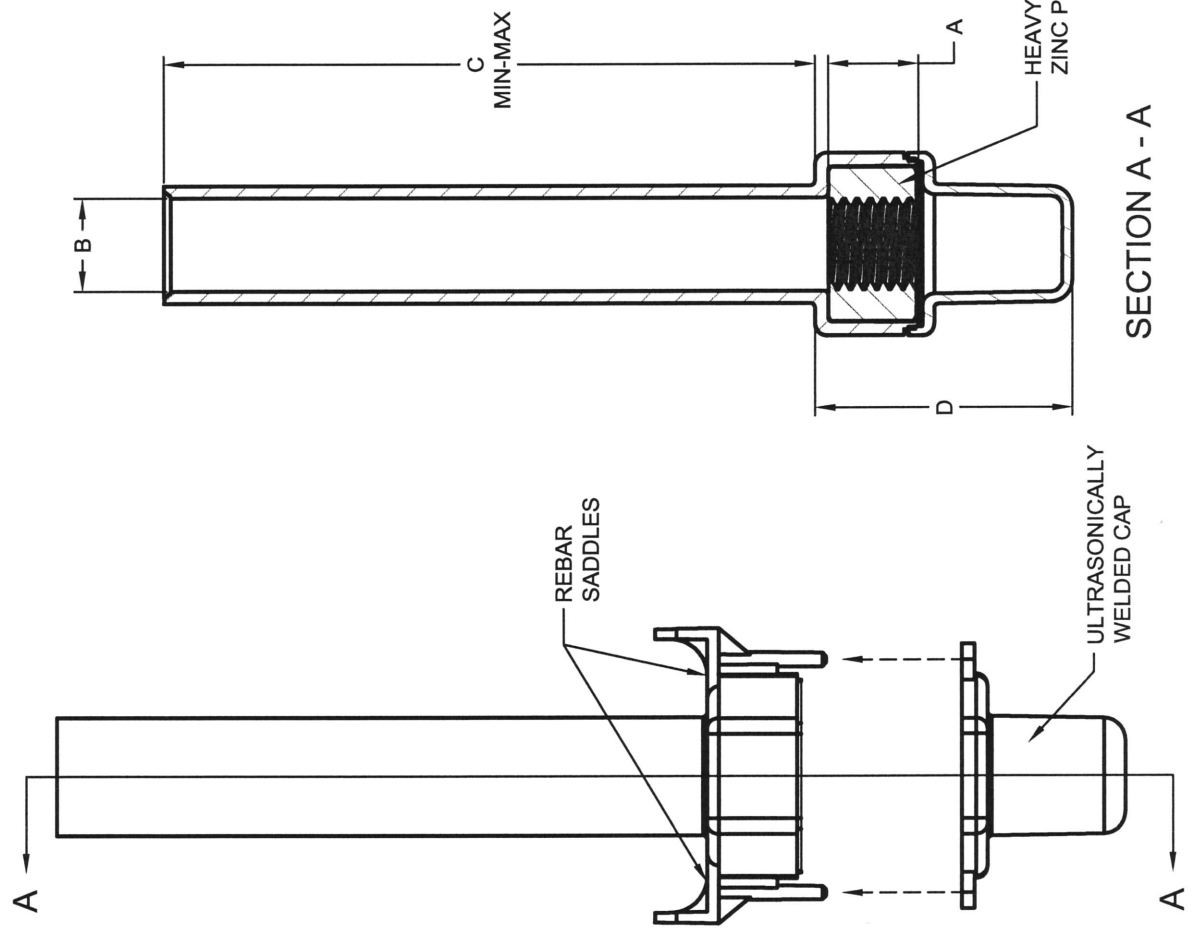


Pennsylvania Insert Corp
 PO Box 199
 Spring City PA 19475
 tel: 610-948-9688
 fax: 610-948-4975

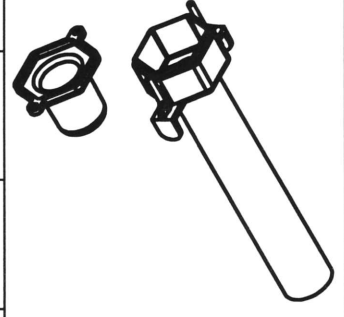
email: sales@pennsylvaniainsert.com
 web: www.pennsylvaniainsert.com

HEX NUT INSERT

- CAP IS ULTRASONICALLY WELDED TO MAIN PIECE PROVIDING HERMETIC SEALING AROUND HEX NUT
- ACETAL COPOLYMER BODY SERVES AS A LOCATOR FOR THE NUT
- PULL OUT FORCE IS IN LINE WITH THE BOLT HOLE, AND DEPENDENT ON DEPTH OF CONCRETE AND REBAR
- 18" REBAR IN EACH SADDLE IS RECOMMENDED TO ACHIEVE FULL POTENTIAL STRENGTH
- MINIMUM BOLT THREAD ENGAGEMENT - 6 FULL REVOLUTIONS
- GRADE 8 BOLTS RECOMMENDED



MODEL	THREAD SIZE	A (THREAD DEPTH)	B (I.D.)	C (SHEAR CONE DEPTH)	D (BOLT THREAD ENGAGEMENT)
HNI-050	1/2" X 13	31/64"	.515"	1-3/4" - 4-1/2"	1.505"
HNI-063	5/8" X 11	39/64"	.642"	1-3/4" - 4-1/2"	1.760"
HNI-075	3/4" X 10	47/64"	.770"	1-3/4" - 4-1/2"	1.995"
HNI-088	7/8" X 9	55/64"	.893"	1-3/4" - 4-1/2"	2.245"
HNI-100	1" X 8	63/64"	1.04"	1-3/4" - 4-1/2"	2.510"



*PATENT PENDING

NO SCALE

07/08/04