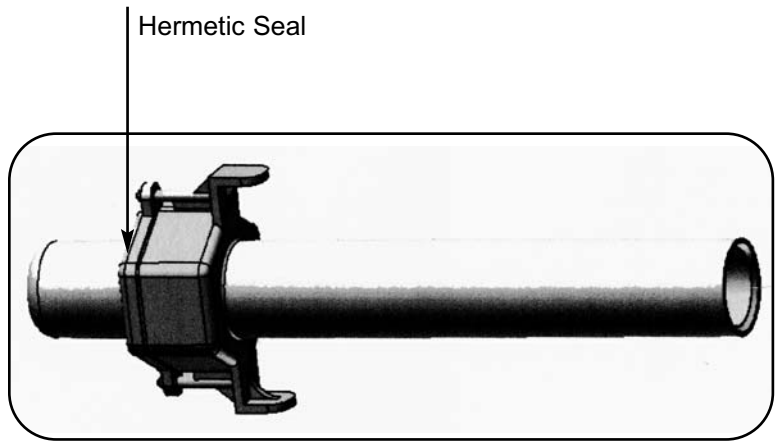
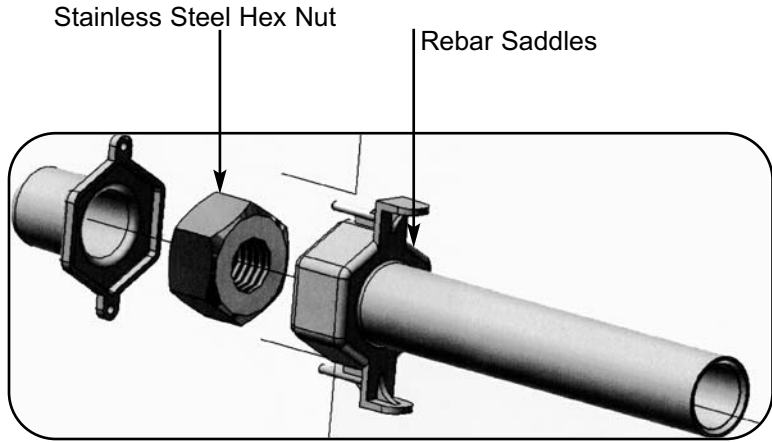


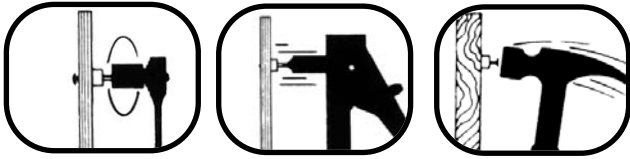
HEX NUT INSERT

The economical alternative to the stainless steel insert: Our **Hex Nut Insert**. Features a stainless steel hex nut encased in a hermetically sealed plastic shell. Available in the following sizes: 1/2", 5/8", 3/4", 7/8", and 1". Installs easily using our tap ons or stick ons. Suitable for a variety of applications from bolting guard rails to aligning precast walls. For more information, please call or e-mail us.

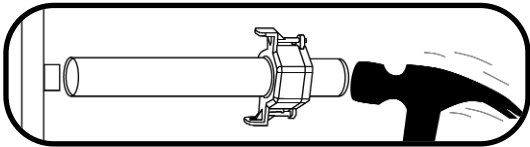


patent pending

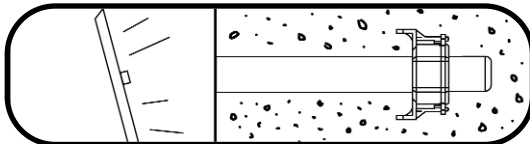
INSTALL WITH TAP-ONS



1. For installing a Hex Nut Insert with a Tap-On, it will be necessary to drill small holes in the form at the locations where inserts are desired. Measure and mark the form wherever an insert is needed and drill a 3/16" hole. Then, simply bolt, rivet, or nail the tap-on to the form.

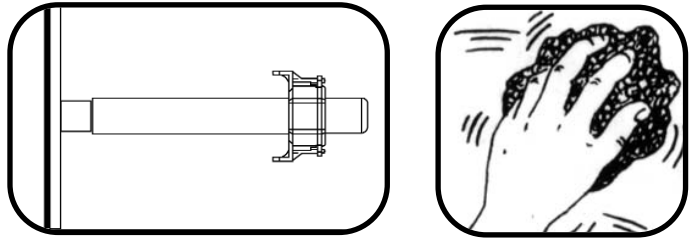


2. Tap Hex Nut Insert gently on to the tap-on. (Never hit the Insert hard and always wear safety glasses.)

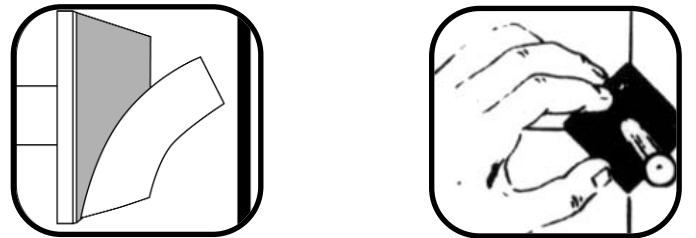


3. Tap-on will release when the form is stripped.

INSTALL WITH STICK-ONS



1. For installing a Hex Nut Insert with a Stick-On, simply attach the appropriately sized Tap-On to the Hex Nut Insert. Clean the mounting surface with steel wool and alcohol.



2. Peel the white backing off then press the Stick-On firmly in place using the corners of the Stick-On to align for critical placement.

FOR INFO. CALL 1-800-220-4857
or sales@pennsylvaniainsert.com