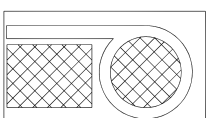


Fax to:	Customer
Fax#	Project
From	Job#
Date	PA Insert Quote/Order#

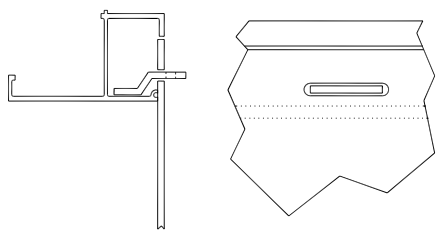
Approved/Notes
Page _____ of _____

Pennsylvania Insert Corp
 P.O. Box 199
 Spring City PA 19475
 tel: 610-948-9688
 fax: 610-948-9750

email: sales@pennsylvaniainsert.com
 web: www.pennsylvaniainsert.com



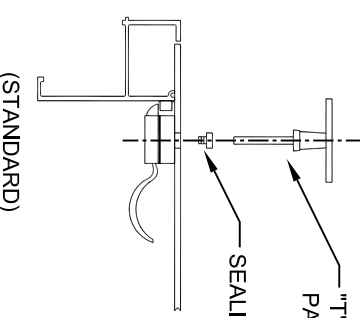
PADLOCK STAPLE



(PADLOCK BY OTHERS)

LOCK OPTIONS

STAINLESS STEEL
SNAP/SLAM LOCK

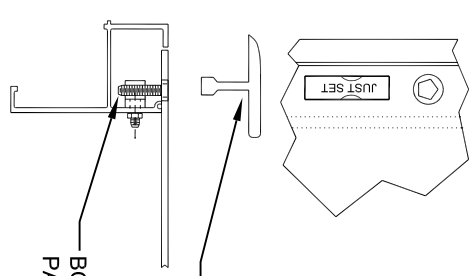


"T" HANDLE -
PART# DP-0310

SEALING PLUG

(STANDARD)

PENTAHEAD LOCK

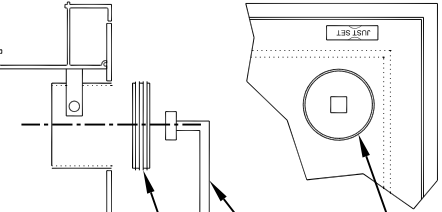


CAST IRON
PENTAHEAD KEY -
PART# 1458

BOLT RECEPTICLE -
PART# DP-0010

RECESSED PADLOCK

(padlock by others)

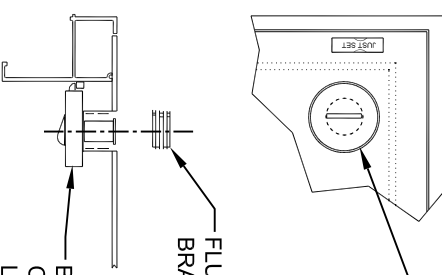


4.00" DIA. COVER

KEY - PART#
DP-0320

FLUSH MOUNTED,
BRASS THREADED,
4.00" DIA. CAP - PART#
DP-0055

RECESSED CYLINDER LOCK

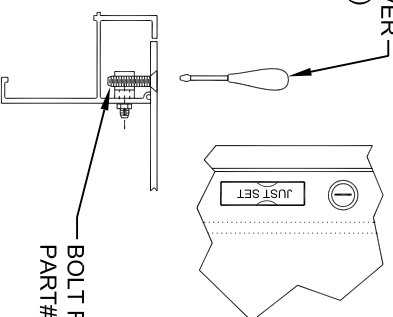


SLOTTED PLUG

FLUSH MOUNTED,
BRASS THREADED CAP

BRONZE SPRAYED, LIGHT
COMMERCIAL, SPRING
LOADED, CYLINDER LOCK

SCREW LOCK



SCREW DRIVER -
(BY OTHERS)

BOLT RECEPTICLE -
PART# DP-0010