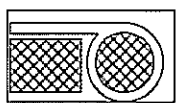


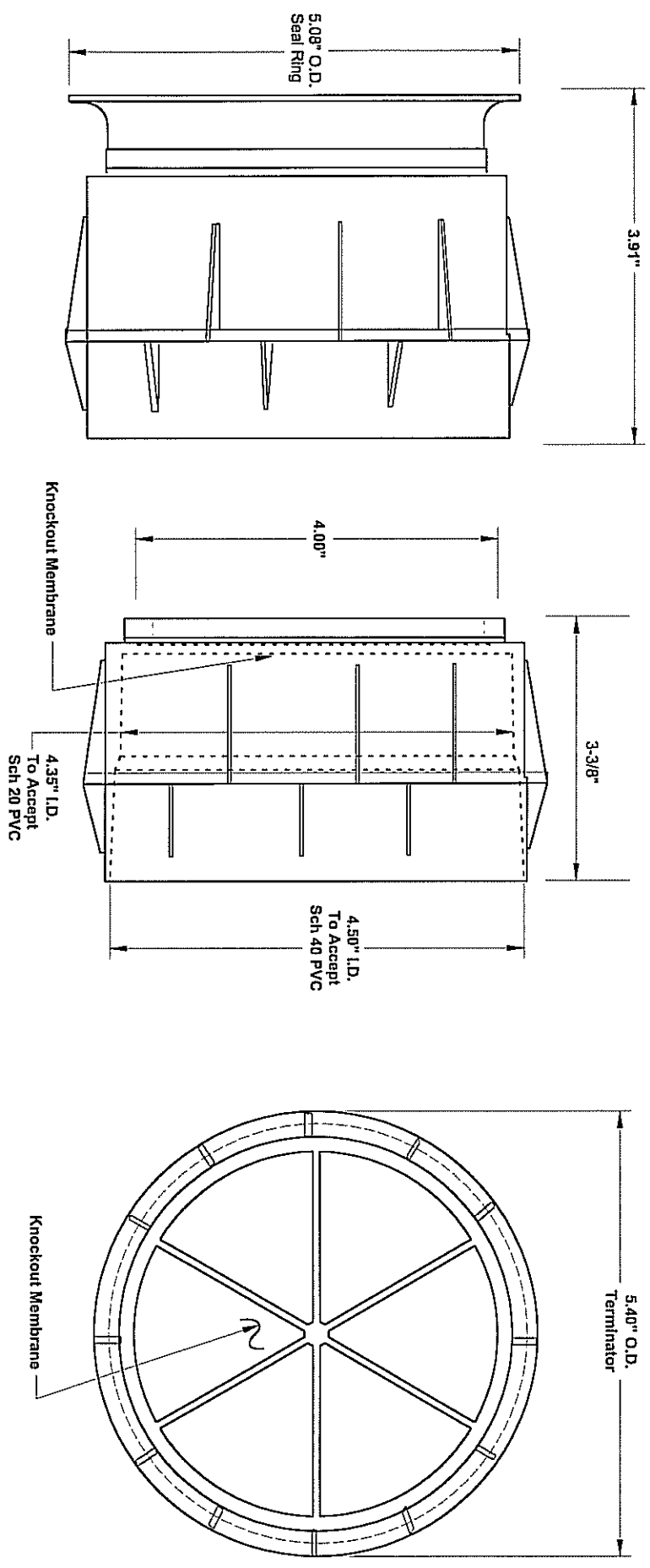
Fax to:	Customer	Approved/Notes
Fax#	Project	
From	Job#	Ship Date
Date	PA Insert Quote/Order#	Page ____ of ____

PA Insert Corp.
 PO Box 199
 Spring City PA 19475
 tel: 610-948-9688
 fax: 610-948-9750

email: sales@pennsylvaniainsert.com
 web: www.pennsylvaniainsert.com



4" (SCH 40/20) TERMINATOR DETAIL (PVC)



EXTERIOR VIEW WITH SEAL RING

INSIDE VIEW WITHOUT SEAL RING

END VIEW WITH SEAL RING

DESCRIPTION: 4" PLASTIC TERMINATOR WITH SEAL RING.
 FOR SCHEDULE 20 or 40 PVC (colored black)
 MINIMAL TAPER GIVES 1.50" OF GLUING SURFACE

DATE: 2/27/04

SCALE: NONE