

Pennsylvania Insert Corp
 PO Box 199
 Spring City PA 19475
 tel: 610-948-9688
 fax: 610-948-4975

email: sales@pennsylvaniainsert.com
 web: www.pennsylvaniainsert.com

Approved/Notes

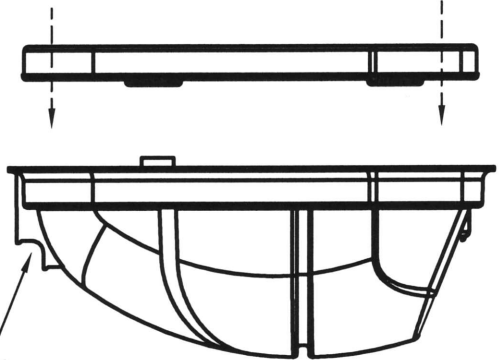
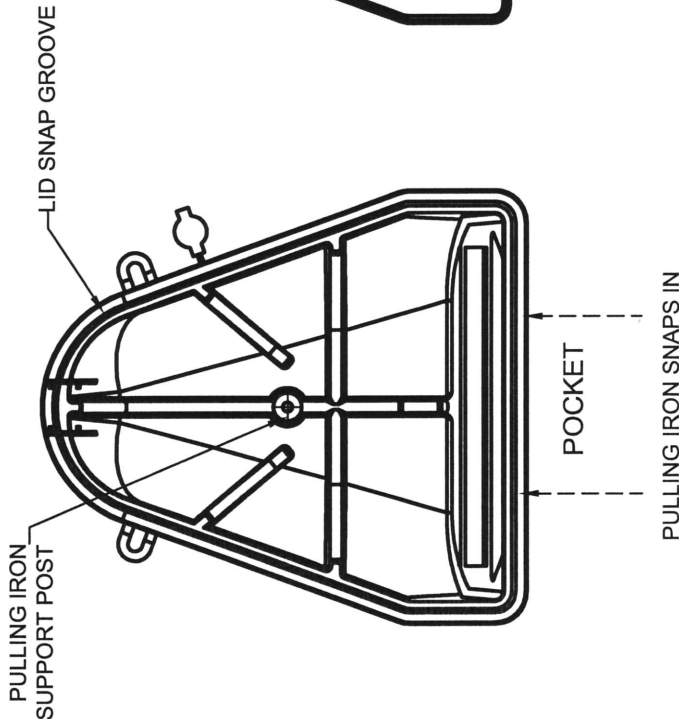
Fax to:	Customer	Page ___ of ___
Fax#	Project	
From	Job#	Ship Date
Date	PA Insert Quote/Order#	

NEW PULLING IRON POCKET AND LID

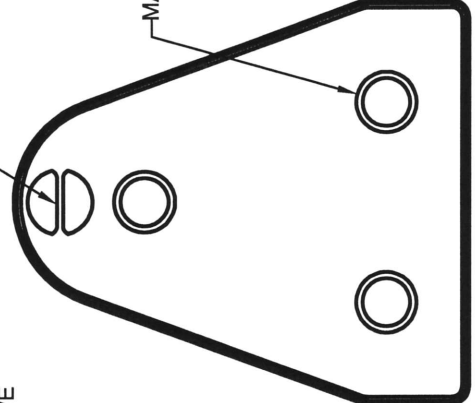
- PULLING IRON SNAPS SECURELY INTO POCKET
- SUPPORT POST KEEPS PULLING IRON IN POSITION
- LID SNAPS SECURELY INTO POCKET
- LID HOLDS MAGNETS



3D VIEW WITH PULLING IRON IN POCKET



SIDE VIEW



LID

NO SCALE

08/20/04