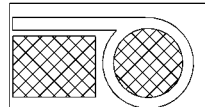
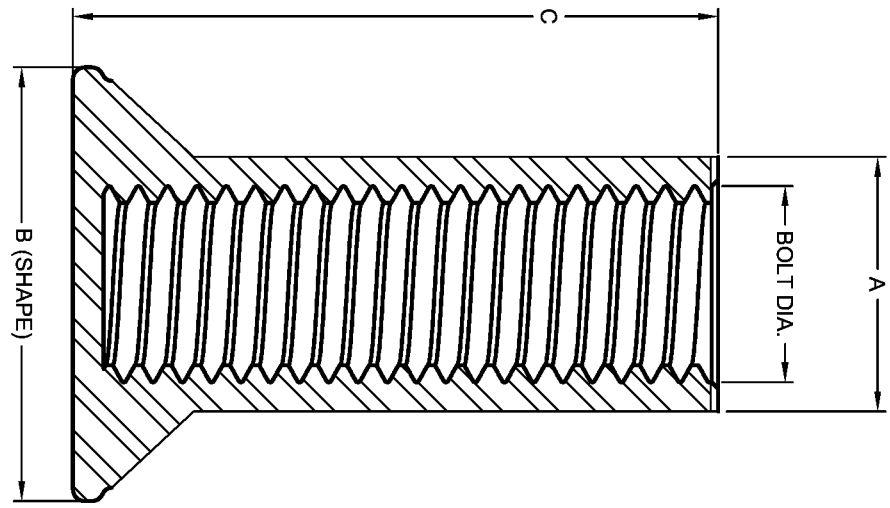


Fax to:	Customer	Approved/Notes
Fax#	Project	
From	Job#	Snip Date
Date	PA Insert Quote/Order#	Page ____ of ____

PA Insert Corp 490 FIRST AVENUE ROYERSFORD, PA 19468 tel: 610-948-9688 fax: 610-948-4975 email: sales@pennsylvaniainsert.com web: www.painsert.com
--

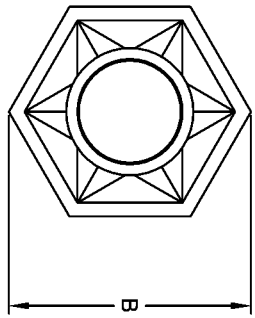
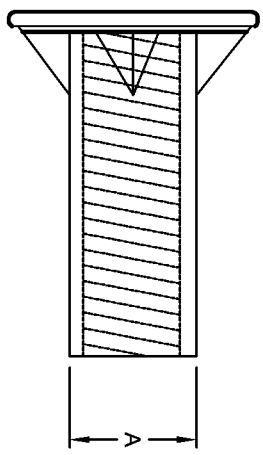


ZINC THREADED INSERT



MODEL	BOLT DIA.	A	B	C	WORKING LOAD (LBS.)	ULTIMATE STRENGTH (LBS.)	PSI OF CONCRETE TESTED
MI-025	1/4"	0.38"	0.88" (HEX)	1-1/2"	811	3245	3500
MI-038	3/8"	0.56"	0.96" (HEX)	1-3/8"	832	3328	3500
MI-050S	1/2"	0.63"	1.13" (HEX)	1-7/16"	1355	5422	5000
MI-050L	1/2"	0.75"	1.44" (HEX)	2-3/4"	1829	7318	5000
MI-063S	5/8"	0.88"	1.38" (HEX)	1-5/8"	1377	5508	5000
MI-063L	5/8"	0.88"	1.63" (HEX)	2-7/8"	2739	10956	5000
MI-075S	3/4"	0.94"	1.38" (HEX)	1-5/8"	1398	5595	5000
MI-075L	3/4"	1.00"	1.88" (HEX)	3"	2232	8929	5000

NOTE: - USE NATIONAL COARSE THREAD BOLTS
 - THREADS MUST BE FULLY ENGAGED TO ACHIEVE LOADS LISTED ABOVE
 - GRADE 8 BOLTS ARE TO BE USED FOR MAXIMUM PERFORMANCE



EXAMPLE OF HEXAGONAL BASE

NO SCALE

06/09/04