

ACCESS DOORS

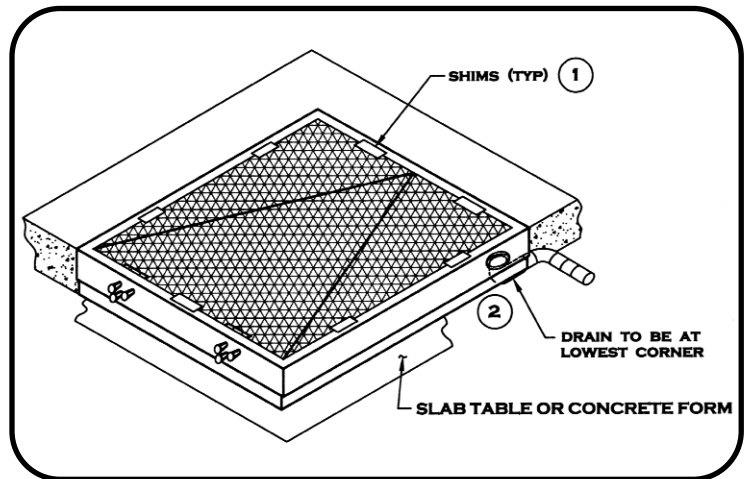
THESE INSTALLATION INSTRUCTIONS

apply to most steel and aluminum watertight and non-watertight door models. Please contact us to verify that these instructions apply to the door(s) you have ordered, or if you require more detailed installation instructions.

PLEASE NOTE:

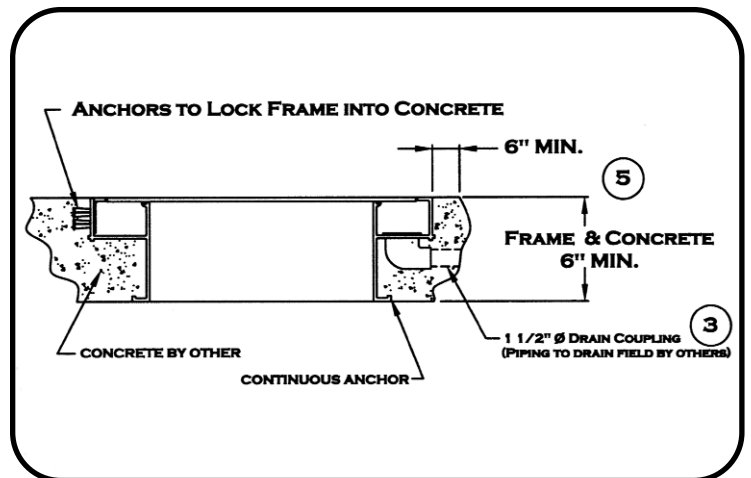
- Door must be locked in concrete suitable for application
- Concrete must extend the entire thickness of door frame and be sufficiently vibrated to ensure against the presence of air pockets
- All re-bar and concrete load designs are the sole responsibility of the customer
- It is recommended that a minimum of 6 inches of concrete be poured around door to prevent spalling of concrete
- Failure to cast in appropriate concrete slab or structure will hinder door performance and void all warranties

TO ORDER CALL 1-800-220-4857
or sales@pennsylvaniainsert.com



1. Make sure door is still shimmed as shipped from factory. Shims must remain in place until concrete has cured.

2. Set door so that drain is positioned in lowest corner.



3. Attach ridged or flexible pipe to extend drain to outside of manhole structure.

4. Make sure door lays flat on form.

5. Pour concrete around door with minimum coverage of 6 inches from outermost extremity.