

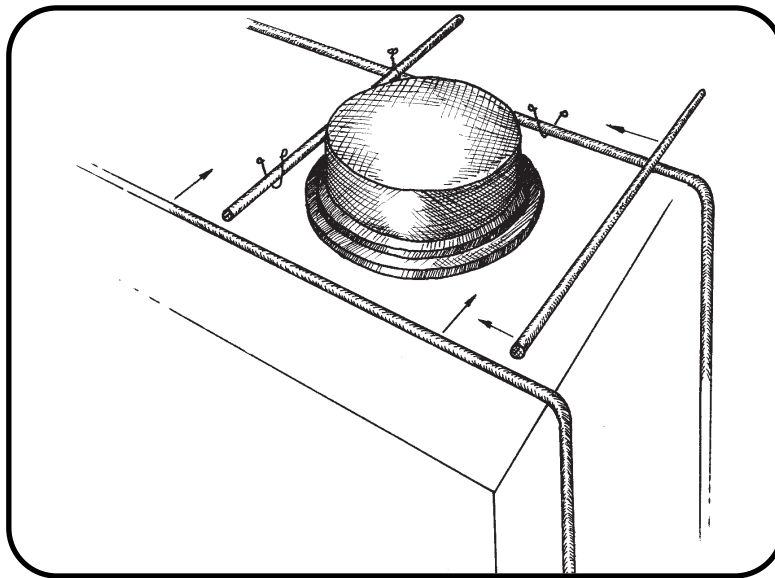
# SUMPS

Pennsylvania Insert's thermoplastic sump is a great way to provide a sump in any precast structure. It is strong, durable, corrosion resistant, and inexpensive. It is also lightweight, which makes it inexpensive to ship and easy to handle.

**ADDITIONAL FEATURES** The lid is manufactured so that its specific gravity is heavier than water so that it won't float. It has a tether holding the lid to the sump. The advantage of a tether is that it ensures that the lid does not get accidentally thrown away or lost.

## USEFUL TIP

- Wire or caulk the sump securely to form so it does not move during pouring.
- Contact PA Insert for detailed installation instructions.



Slap the sucker on the form and wire or caulk it down.  
Dimensions: 12.5" diameter x 4" deep. (o.d. = 15" diameter x 4.5" deep).

TO ORDER CALL 1-800-220-4857  
or [sales@pennsylvaniainsert.com](mailto:sales@pennsylvaniainsert.com)