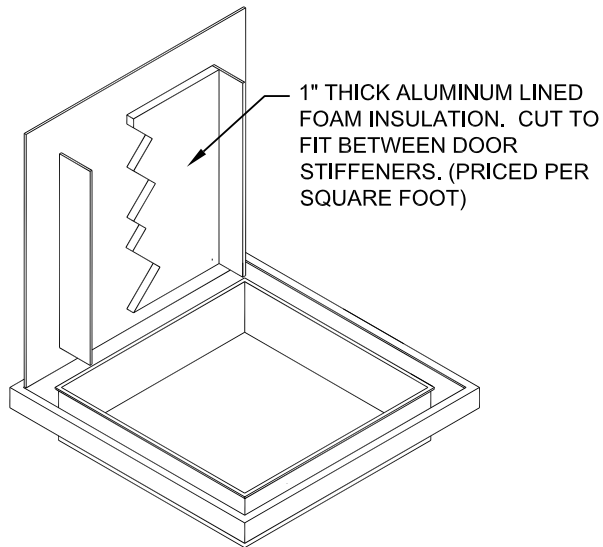


Attention: _____
 From: _____
 Fax #: _____
 PA Insert Quote or Job Number: _____

Customer: _____
 Project: _____
 Job Number: _____
 Ship Date: ____ / ____ / ____

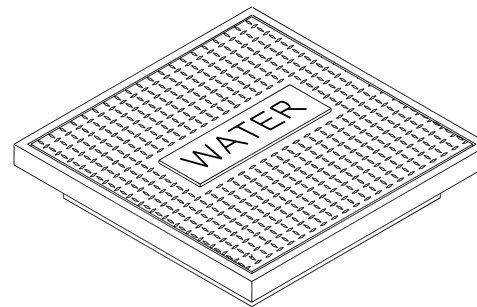
Date: ____ / ____ / ____
 Page ____ of ____

FOAM INSULATION

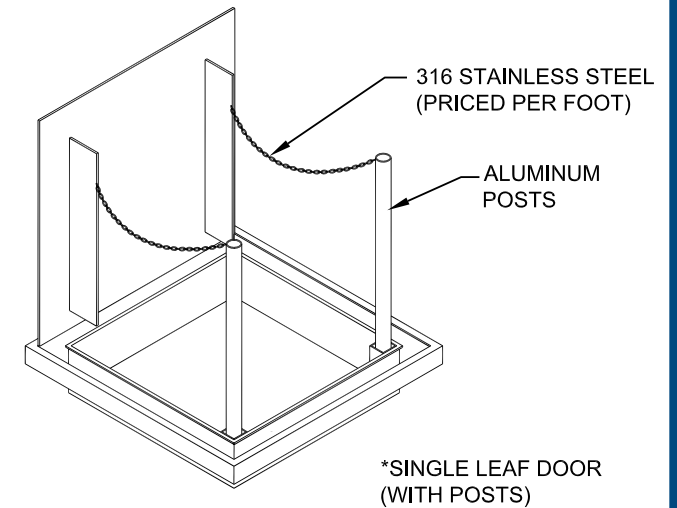


DOOR OPTIONS

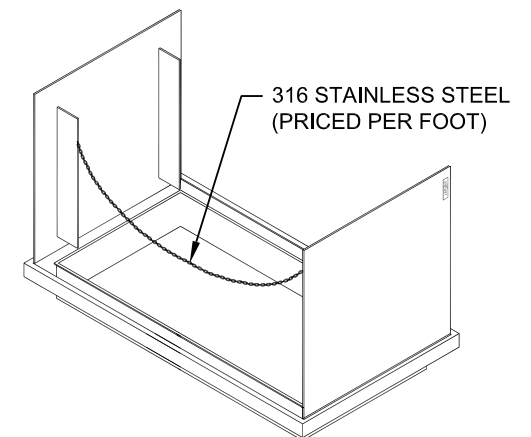
WORDING



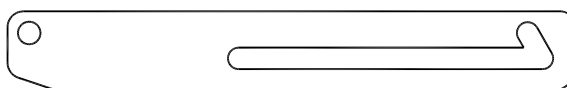
STAINLESS STEEL SAFETY CHAIN - SL*



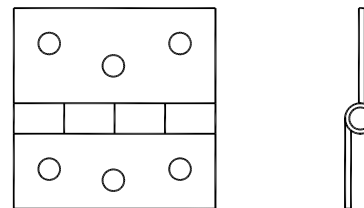
STAINLESS STEEL SAFETY CHAIN - DL*



STAINLESS STEEL HOLD OPEN ARM



BRASS HINGES



(STAINLESS STEEL IS STANDARD)

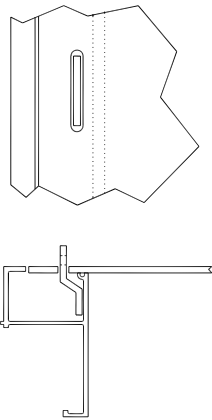
NO SCALE

Attention: _____
From: _____
Fax #: _____
PA Insert Quote or Job Number: _____

Customer: _____
Project: _____
Job Number: _____
Ship Date: ____ / ____ / ____

Date: ____ / ____ / ____
Page ____ of ____

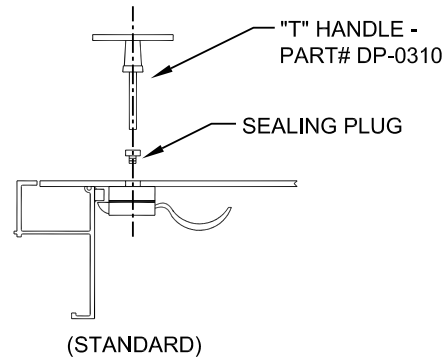
PADLOCK STAPLE



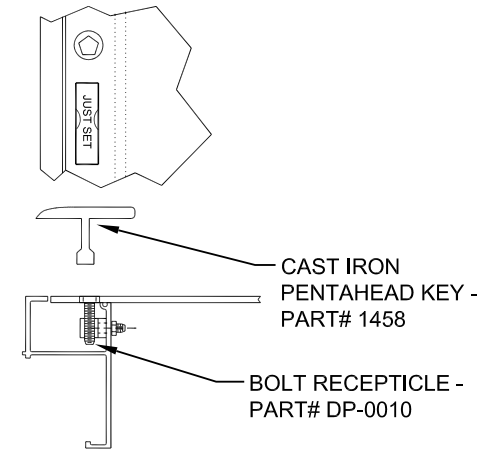
(PADLOCK BY OTHERS)

LOCK OPTIONS

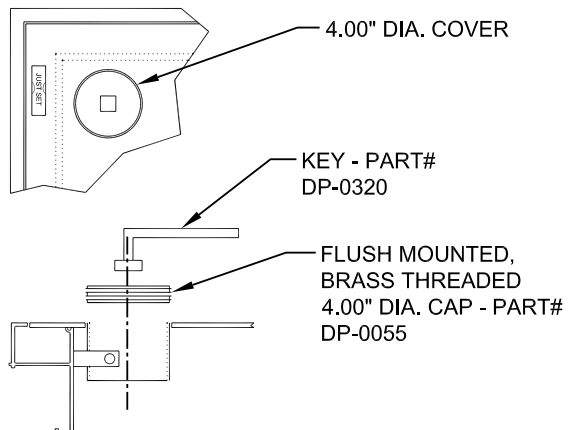
STAINLESS STEEL SNAP/SLAM LOCK



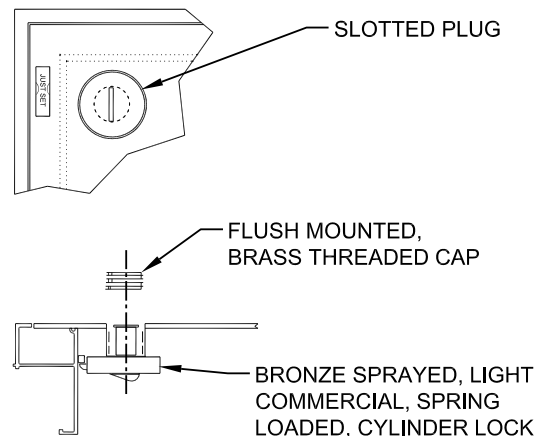
PENTAHEAD LOCK



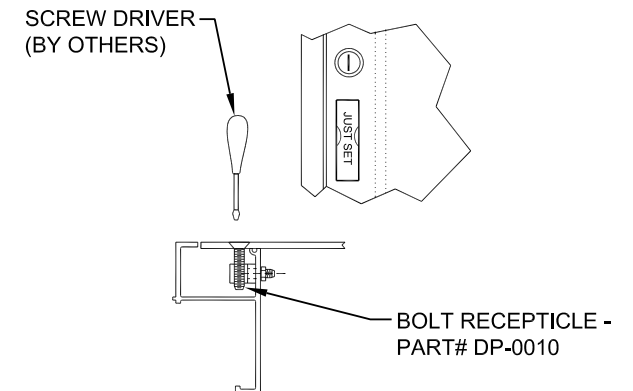
RECESSED PADLOCK (padlock by others)



RECESSED CYLINDER LOCK



SCREW LOCK

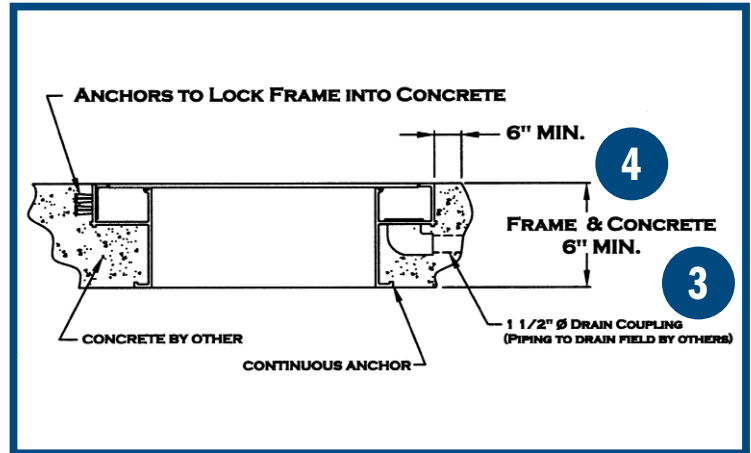
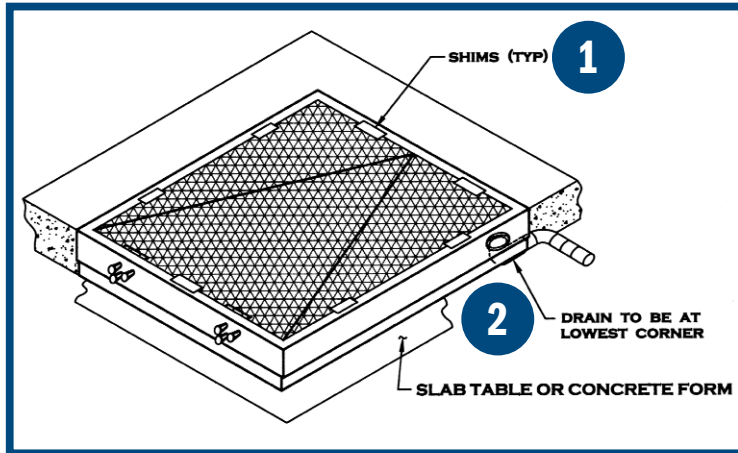


06/24/04

Access Doors

Installation Instructions

Instructions apply to most steel and aluminum watertight and non-watertight door models. Please contact us to verify that these instructions apply to the door(s) you have ordered, or if you require more detailed installation instructions.



- 1 Make sure door is still shimmed as shipped from factory. Shims must remain in place until concrete has cured.
- 2 Set door so that drain is positioned in lowest corner.
- 3 Attach ridged or flexible pipe to extend drain to outside of manhole structure. *Make sure door lays flat on form.*
- 4 Pour concrete around door with minimum coverage of 6" from outermost extremity.

PLEASE NOTE:

- Door must be locked in concrete suitable for application
- Concrete must extend the entire thickness of door frame and be sufficiently vibrated to ensure against the presence of air pockets
- All re-bar and concrete load designs are the sole responsibility of the customer
- It is recommended that a minimum of 6 inches of concrete be poured around door to prevent spalling of concrete
- Failure to cast in appropriate concrete slab or structure will hinder door performance and void all warranties