

Attention: _____

From: _____

Fax #: _____

PA Insert Quote or Job Number: _____

Customer: _____

Project: _____

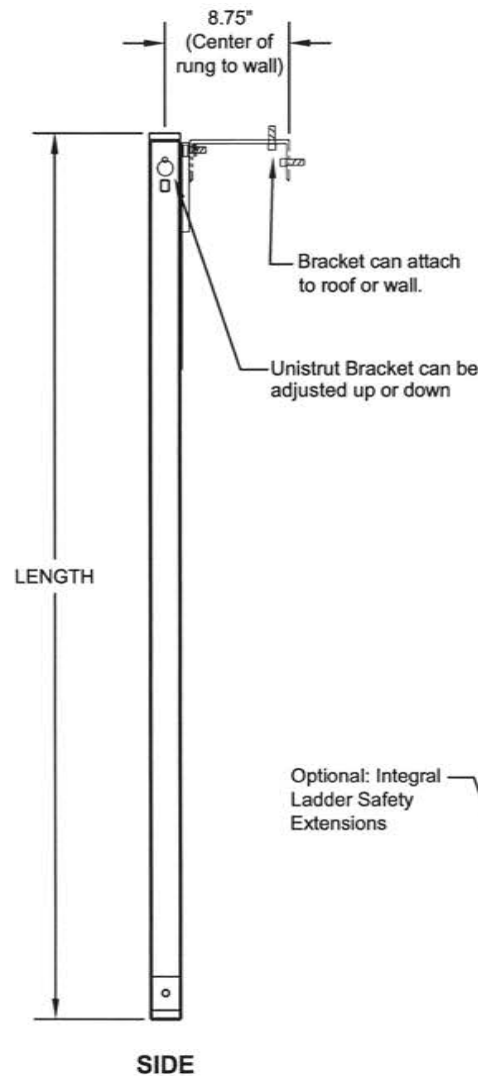
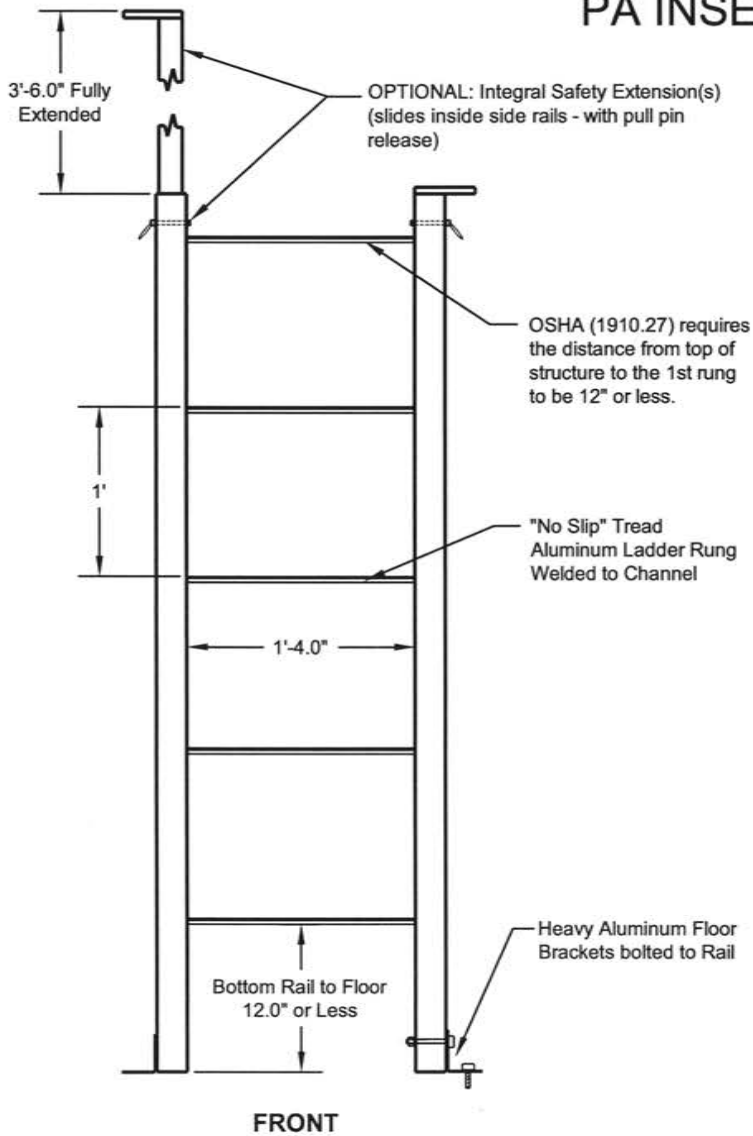
Job Number: _____

Ship Date: ___ / ___ / ___

Date: ___ / ___ / ___

Page ___ of ___

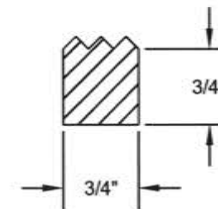
PA INSERT ALUMINUM LADDER DETAIL



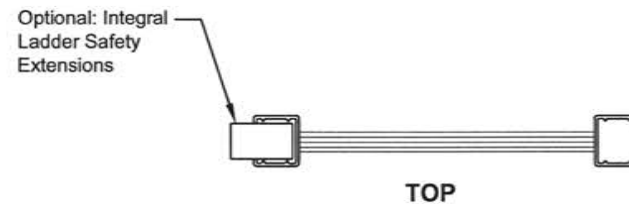
- OSHA 1910.27 Compliant
- All Materials are Mill Finish
- Aluminum Alloy = 6061-T6

LADDER LENGTH = _____

QUANTITY = _____



SECTION THROUGH RUNG



NO SCALE

12/08

Attention: _____

From: _____

Fax #: _____

PA Insert Quote or Job Number: _____

Customer: _____

Project: _____

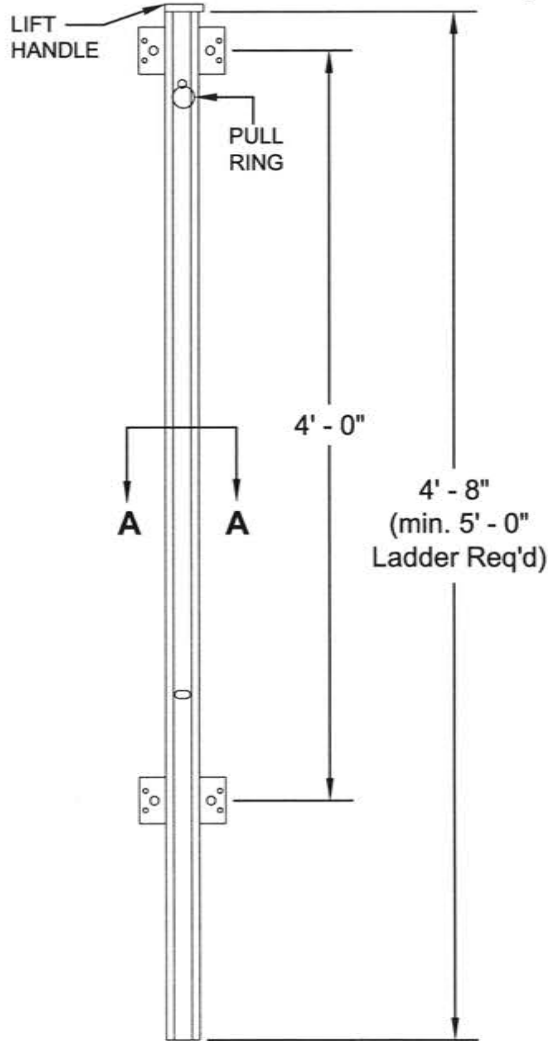
Job Number: _____

Ship Date: ___ / ___ / ___

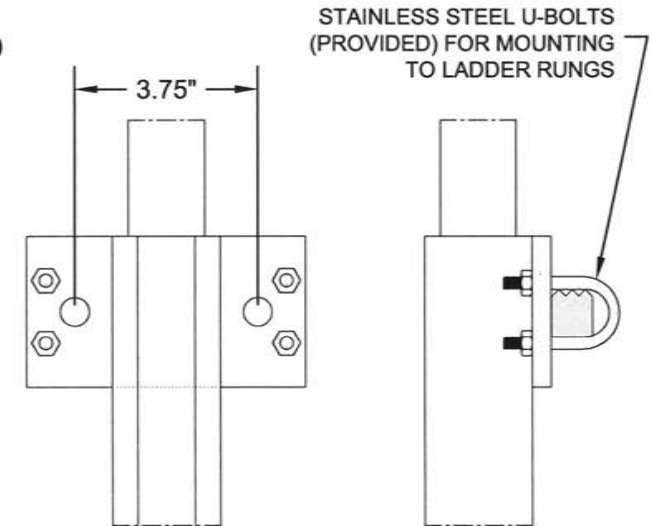
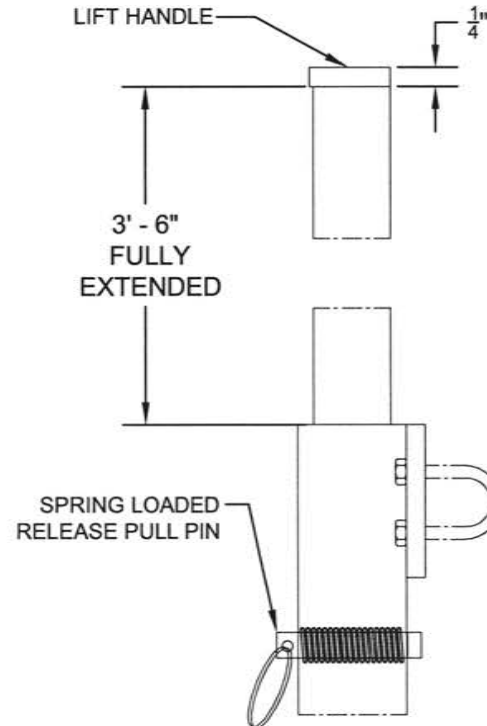
Date: ___ / ___ / ___

Page ___ of ___

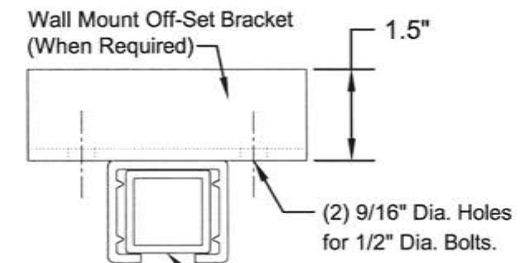
ALUMINUM -BOLT ON- LADDER EXTENSION



- ALL ALUMINUM CONSTRUCTION
- STAINLESS STEEL HARDWARE
- MINIMUM 5' - 0" LADDER REQUIRED



MOUNTING BRACKET DETAILS



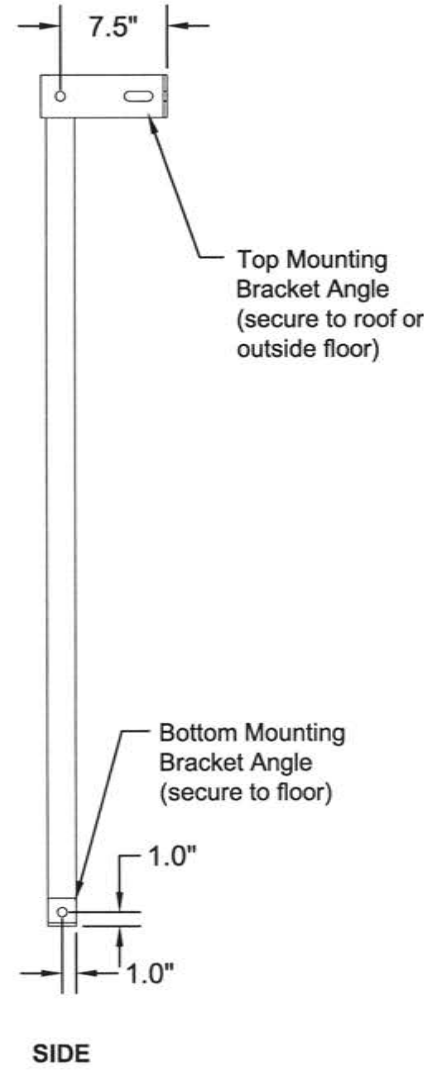
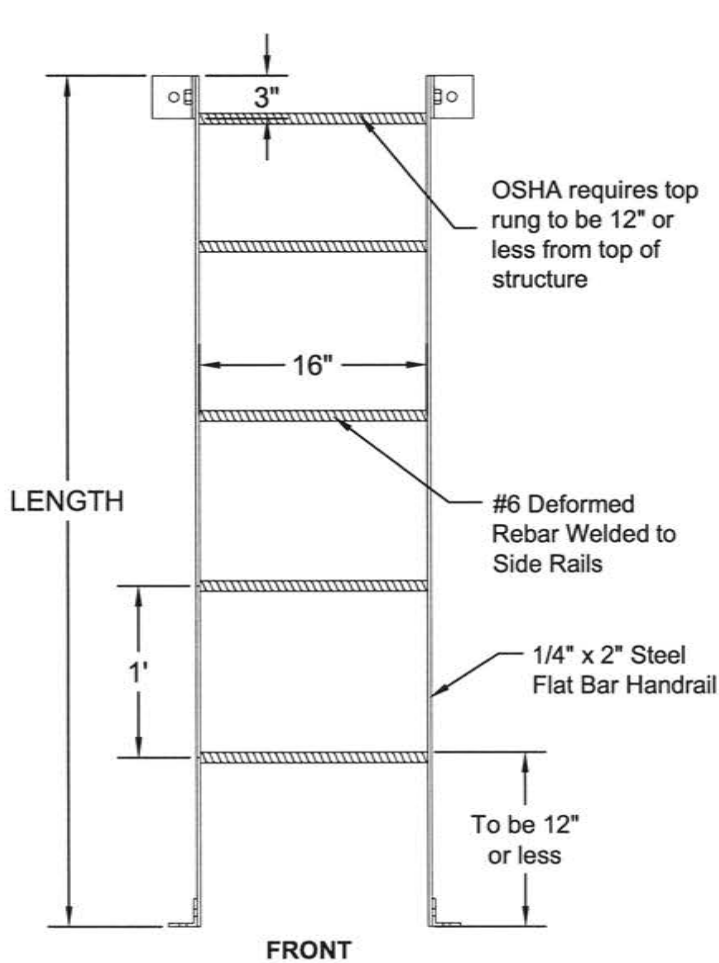
SECTION A - A

Attention: _____
From: _____
Fax #: _____
PA Insert Quote or Job Number: _____

Customer: _____
Project: _____
Job Number: _____
Ship Date: ____ / ____ / ____

Date: ____ / ____ / ____
Page ____ of ____

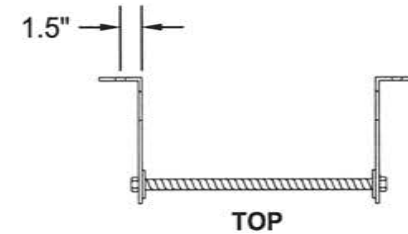
PENNSYLVANIA INSERT STEEL LADDER DETAIL

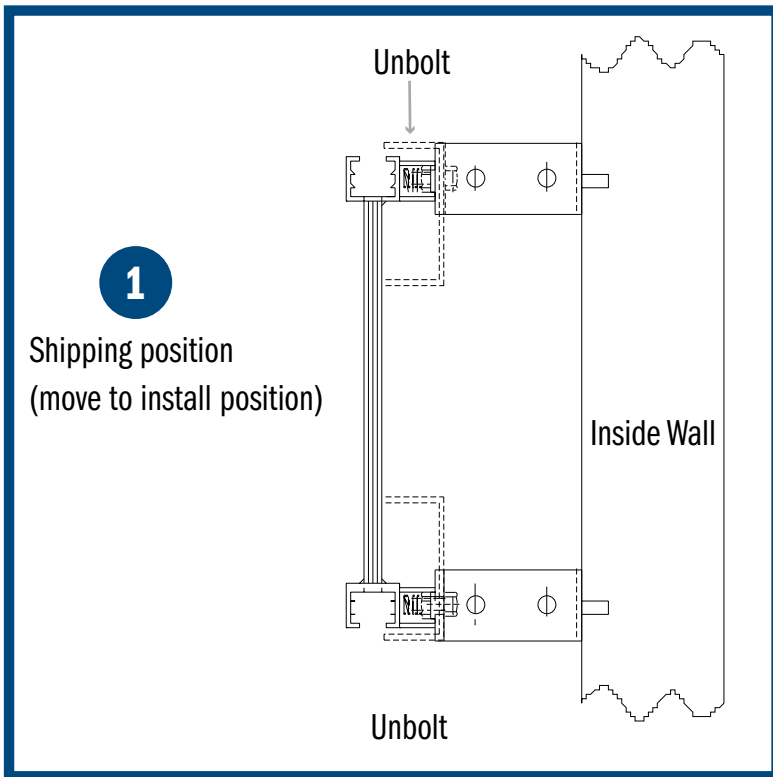


- OSHA 1910.27 Compliant
- Red Oxide Painted (Standard)
- Hot Dipped Galvanized (Optional)
- Flat Bar and Brackets are ASTM A36 Steel

LADDER LENGTH = _____

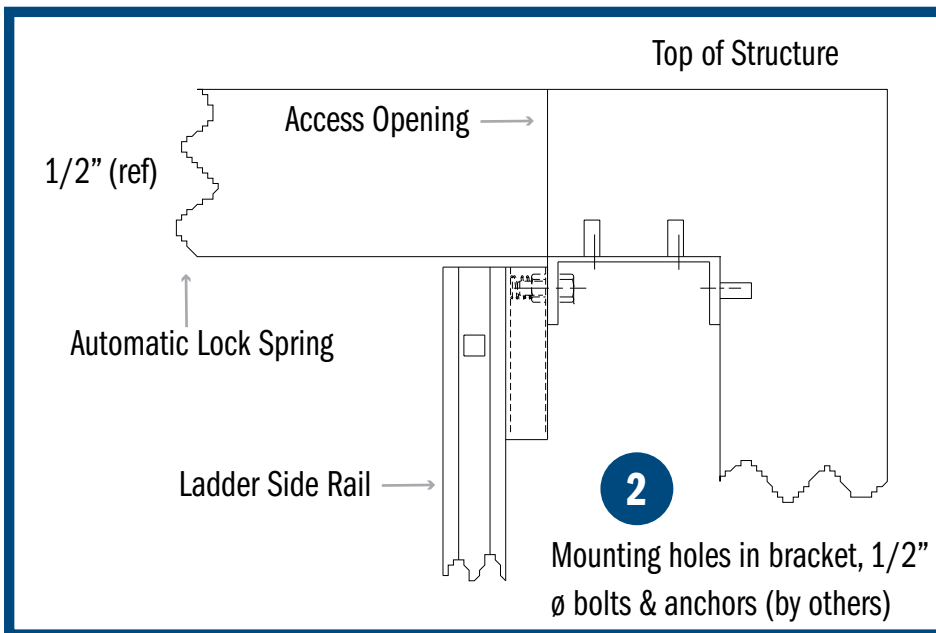
QUANTITY = _____





Note: OSHA requires the distance from top of structure to the first rung to be 12" or less.

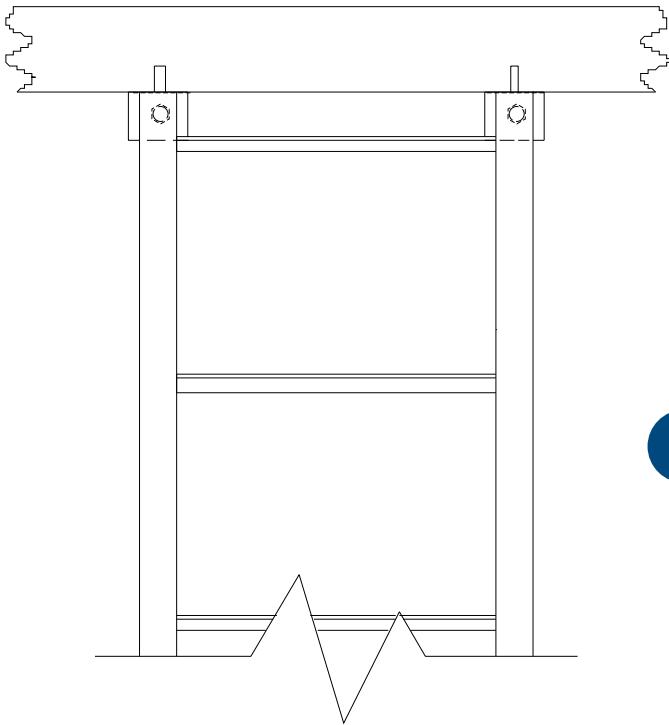
- 1** Unbolt, reposition and re-bolt, adjustable channel brackets as shown (do not tighten all the way so it can be slid up and down).



- 2** Position ladder in structure and secure adjustable bracket, to wall or roof; tighten bracket, adjusting nut.

Ladders

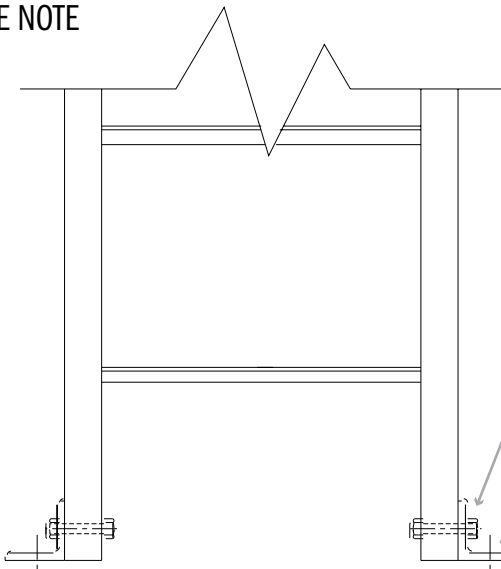
Installation Instructions



Note: OSHA requires the distance from top of structure to the first rung to be 12" or less.

- 3 Secure foot angles & any mid-brackets (if any), tighten all bolts.

SEE NOTE



(2) Foot angles are pre-bolted to rail.

- 3 5/8" \emptyset Holes provided for 1/2" \emptyset Bolts & Anchors (by others)

Min. 6 ft. Ladder required.