

Attention: \_\_\_\_\_

From: \_\_\_\_\_

Fax #: \_\_\_\_\_

PA Insert Quote or Job Number: \_\_\_\_\_

Customer: \_\_\_\_\_

Project: \_\_\_\_\_

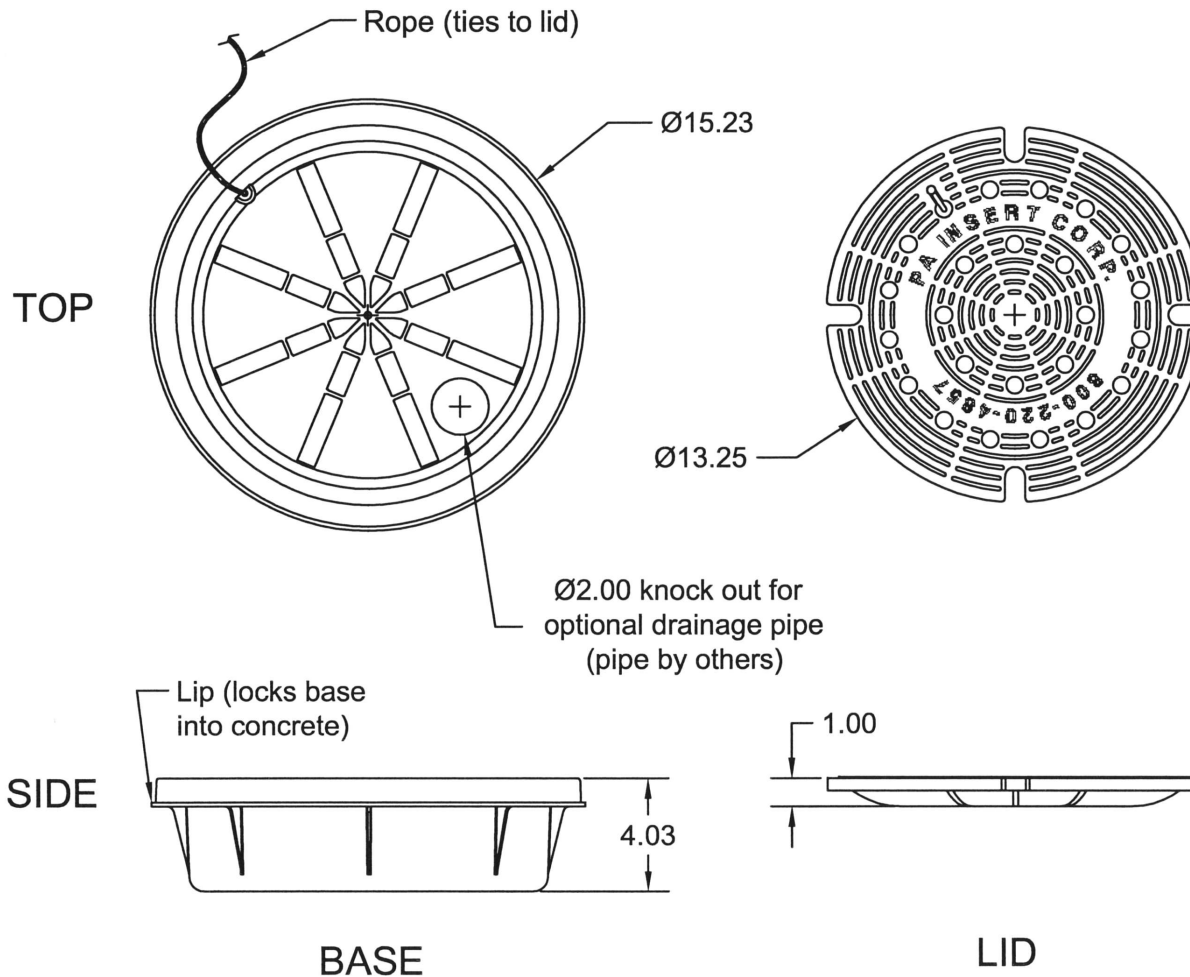
Job Number: \_\_\_\_\_

Ship Date: \_\_\_ / \_\_\_ / \_\_\_

Date: \_\_\_ / \_\_\_ / \_\_\_

Page \_\_\_ of \_\_\_

## NEW PLASTIC SUMP



### BASE:

- Material - Propylene
- Rope connects to lid
- Lip positively locks base into concrete
- 2" knock out hole in base for optional drain pipe (drain pipe by others)

### LID:

- Material - 30% Glass filled Propylene
- Top surface has raised areas to provide traction
- Ribbed construction provides increased strength and rigidity

# Sump Base & Lid

## Installation Instructions

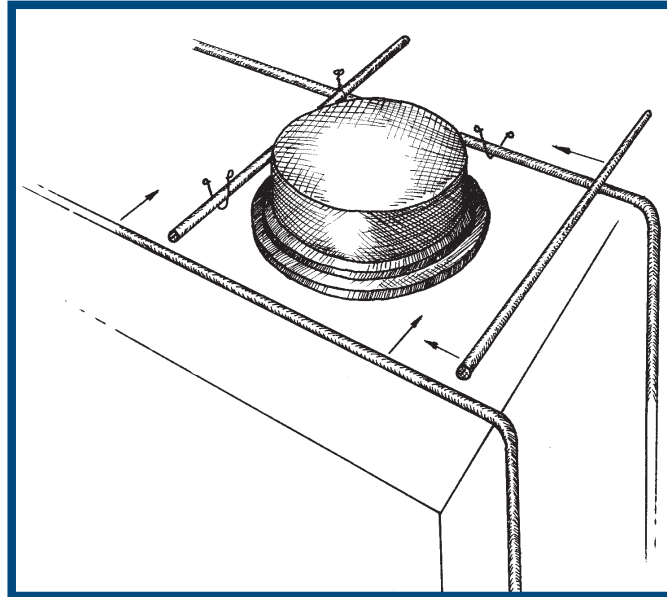


**Sump Base & Lid** - We've redesigned our sump base and lid to meld form, function, and utility while maintaining the same dimensions as the old sump set.

### Features include;

- Traction Texture that reduces slip
- Lock in Ring that locks the base into concrete
- Increased Lid Stiffness and Strength

Pennsylvania Insert's thermoplastic sump is a great way to provide a sump in any precast structure. It is strong, durable, corrosion resistant, and inexpensive. It is also lightweight, which makes it inexpensive to ship and easy to handle.



Put on the form and wire or caulk in place. Dimensions:  
12.5" diameter x 4" deep. (o.d. = 15" diameter x 4.5" deep).

**ADDITIONAL FEATURES** The lid is manufactured so that its specific gravity is heavier than water so that it won't float. It has a tether holding the lid to the sump. The advantage of a tether is that it ensures that the lid does not get accidentally thrown away or lost.

### USEFUL TIPS

1. Wire or caulk the sump securely to form so it does not move during pouring.
2. Contact PA Insert for detailed installation instructions.