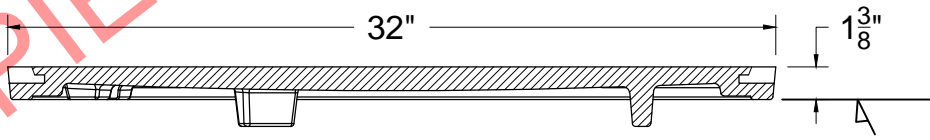


(2) HIDDEN
EDGE PRIES



SECTION A-A



D&L Foundry, Inc.
"The Iron Men"
 MADE IN THE USA
 THE INFORMATION CONTAINED IN THIS DRAWING IS THE SOLE PROPERTY OF D&L FOUNDRY. ANY REPRODUCTION IN PART OR AS A WHOLE WITHOUT THE WRITTEN PERMISSION OF D&L FOUNDRY IS PROHIBITED

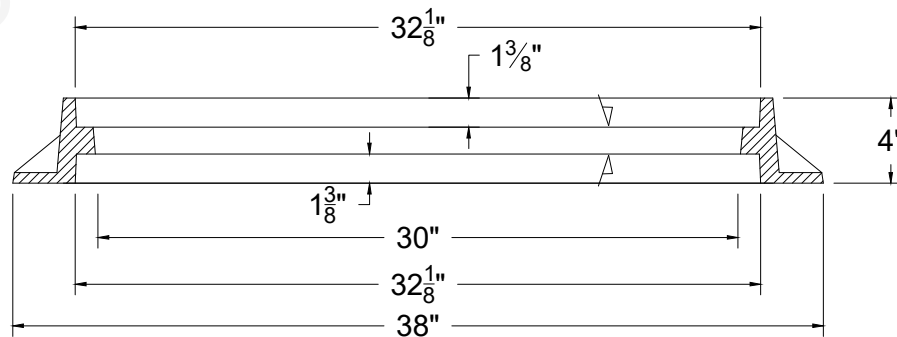
PART NUMBER
R-1016-10

| DATE | DESCRIPTION | DRAWN | APPROVED |
|----------|--|-------|----------|
| 06/22/16 | DRAWING CREATED FOR EXISTING DASH NUMBER | R.G. | RMH |
| | | | |
| | | | |
| | | | |

GRAY IRON
 CONFORMS TO
 ASTM A48 CL35B
 ALL TOLERANCES ARE +/- 1/16" PER
 FOOT, MEASUREMENTS LESS THAN
 ONE FOOT ARE +/- 1/32"
 UNLESS OTHERWISE SPECIFIED

| REFERENCE INFORMATION | |
|-----------------------------|--------------|
| CATALOG NUMBERS | |
| COVER | RING |
| COPE: - 7103 | COPE: - XXXX |
| DRAG: - 7102 | DRAG: - XXXX |
| DESIGNATES MACHINED SURFACE | |

| DESIGN REVIEW | | / | / |
|---------------|--|---|-----|
| SALES | | / | N/A |
| PATTERN | | / | N/A |
| PROD. | | / | N/A |
| POST. | | / | N/A |
| OTHER | | / | N/A |



SECTION A-A



D&L Foundry, Inc.
"The Iron Men"
 MADE IN THE USA

THE INFORMATION CONTAINED IN THIS DRAWING IS THE SOLE PROPERTY OF D&L FOUNDRY. ANY REPRODUCTION IN PART OR AS A WHOLE WITHOUT THE WRITTEN PERMISSION OF D&L FOUNDRY IS PROHIBITED

PART NUMBER

A-1363-R1

| DATE | DESCRIPTION | DRAWN | APPROVED |
|----------|--------------------|-------|----------|
| 09/24/13 | NEW DRAWING | EK | |
| 06/15/18 | UPDATED DIMENSIONS | RKB | D.C. |
| | | | |
| | | | |

GRAY IRON
 CONFORMS TO
 ASTM A48 CL35B

ALL TOLERANCES ARE +/- 1/6" PER FOOT UNLESS OTHERWISE SPECIFIED

| REFERENCE INFORMATION | DESIGN REVIEW | / | / |
|-----------------------------|---------------|---|-----|
| CATALOG NUMBERS | SALES | | N/A |
| COVER RING | PATTERN | | N/A |
| COPE: - XXXX COPE: - 6709 | PROD. | | N/A |
| DRAG: - XXXX DRAG: - 6708 | POST. | | N/A |
| DESIGNATES MACHINED SURFACE | OTHER | | N/A |