

SECTION A-A



D&L Foundry, Inc.
"The Iron Men"
 MADE IN THE USA

THE INFORMATION CONTAINED IN THIS DRAWING IS THE SOLE PROPERTY OF D&L FOUNDRY. ANY REPRODUCTION IN PART OR AS A WHOLE WITHOUT THE WRITTEN PERMISSION OF D&L FOUNDRY IS PROHIBITED

PART NUMBER
R-1016-16

DATE	DESCRIPTION	DRAWN	APPROVED
04/15/15	DRAWING CREATED FOR EXISTING PART	C.H.	M.C.
08/11/16	TITLE BLOCK UPDATED	R.G.	RMH

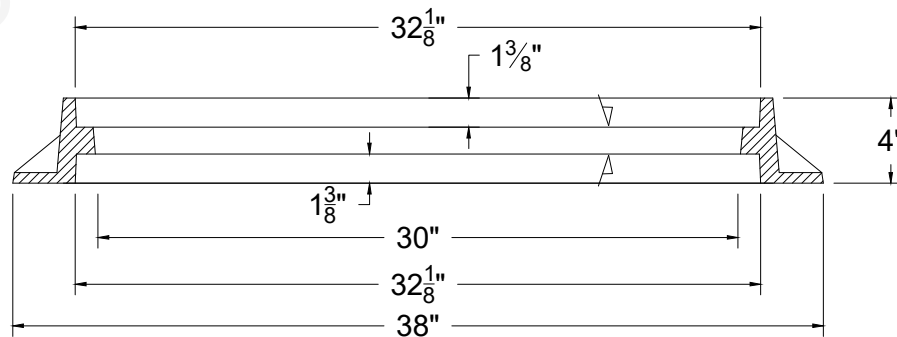
GRAY IRON CONFORMS TO ASTM A48 CL35B

ALL TOLERANCES ARE $\pm \frac{1}{16}$ " PER FOOT, MEASUREMENTS LESS THAN ONE FOOT ARE $\pm \frac{1}{16}$ " UNLESS OTHERWISE SPECIFIED

REFERENCE INFORMATION	
CATALOG NUMBERS	
COVER	RING
COPE: - 7103	COPE: - XXXX
DRAG: - 7102	DRAG: - XXXX

DESIGNATES MACHINED SURFACE

DESIGN REVIEW		/	/
SALES			N/A
PATTERN			N/A
PROD.			N/A
POST.			N/A
OTHER			N/A



SECTION A-A



D&L Foundry, Inc.
"The Iron Men"
 MADE IN THE USA

THE INFORMATION CONTAINED IN THIS DRAWING IS THE SOLE PROPERTY OF D&L FOUNDRY. ANY REPRODUCTION IN PART OR AS A WHOLE WITHOUT THE WRITTEN PERMISSION OF D&L FOUNDRY IS PROHIBITED

PART NUMBER

A-1363-R1

DATE	DESCRIPTION	DRAWN	APPROVED
09/24/13	NEW DRAWING	EK	
06/15/18	UPDATED DIMENSIONS	RKB	D.C.

GRAY IRON
 CONFORMS TO
 ASTM A48 CL35B

ALL TOLERANCES ARE +/- 1/16" PER FOOT UNLESS OTHERWISE SPECIFIED

REFERENCE INFORMATION	DESIGN REVIEW	/	/
CATALOG NUMBERS	SALES		N/A
COVER RING	PATTERN		N/A
COPE: - XXXX COPE: - 6709	PROD.		N/A
DRAG: - XXXX DRAG: - 6708	POST.		N/A
DESIGNATES MACHINED SURFACE	OTHER		N/A