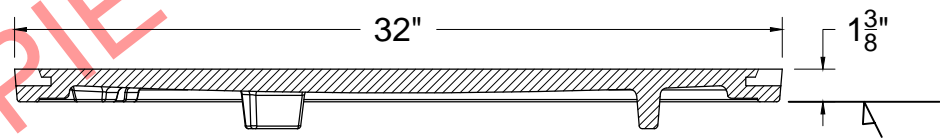


(2) HIDDEN  
EDGE PRIERS



SECTION A-A



**D&L Foundry, Inc.**  
**"The Iron Men"**  
 MADE IN THE USA  
 THE INFORMATION CONTAINED IN THIS DRAWING IS THE SOLE PROPERTY OF D&L FOUNDRY. ANY REPRODUCTION IN PART OR AS A WHOLE WITHOUT THE WRITTEN PERMISSION OF D&L FOUNDRY IS PROHIBITED

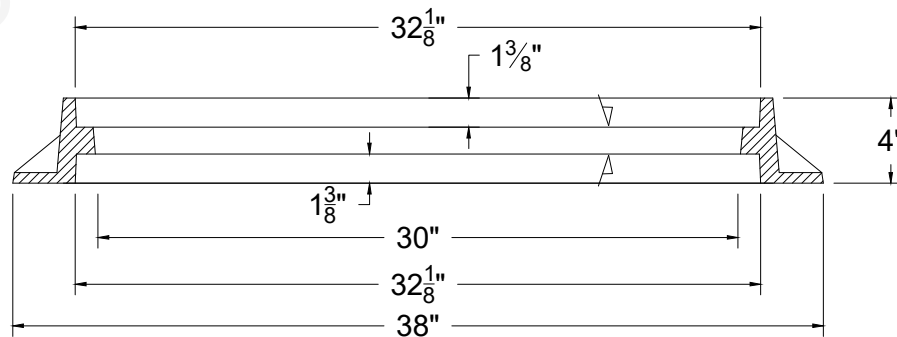
**PART NUMBER**  
**R-1016-12**

DATE	DESCRIPTION	DRAWN	APPROVED
06/22/16	DRAWING CREATED FOR EXISTING DASH NUMBER	R.G.	RMH

GRAY IRON  
 CONFORMS TO  
 ASTM A48 CL35B  
 ALL TOLERANCES ARE +/- 1/16" PER  
 FOOT, MEASUREMENTS LESS THAN  
 ONE FOOT ARE +/- 1/16"  
 UNLESS OTHERWISE SPECIFIED

REFERENCE INFORMATION	
CATALOG NUMBERS	
COVER	RING
COPE: - 7103	COPE: - XXXX
DRAG: - 7102	DRAG: - XXXX
DESIGNATES MACHINED SURFACE	

DESIGN REVIEW		/	/
SALES			N/A
PATTERN			N/A
PROD.			N/A
POST.			N/A
OTHER			N/A



SECTION A-A



**D&L Foundry, Inc.**  
**"The Iron Men"**  
 MADE IN THE USA

THE INFORMATION CONTAINED IN THIS DRAWING IS THE SOLE PROPERTY OF D&L FOUNDRY. ANY REPRODUCTION IN PART OR AS A WHOLE WITHOUT THE WRITTEN PERMISSION OF D&L FOUNDRY IS PROHIBITED

**PART NUMBER**  
**A-1363-R1**

DATE	DESCRIPTION	DRAWN	APPROVED
09/24/13	NEW DRAWING	EK	
06/15/18	UPDATED DIMENSIONS	RKB	D.C.

GRAY IRON  
 CONFORMS TO  
 ASTM A48 CL35B

ALL TOLERANCES ARE +/- 1/16" PER FOOT UNLESS OTHERWISE SPECIFIED

REFERENCE INFORMATION		DESIGN REVIEW	
CATALOG NUMBERS		SALES	/ /
COVER	RING	PATTERN	N/A
COPE: - XXXX	COPE: - 6709	PROD.	N/A
DRAG: - XXXX	DRAG: - 6708	POST.	N/A
DESIGNATES MACHINED SURFACE		OTHER	N/A