

Pennsylvania Insert Corp

PO Box 199
Spring City PA 19475
tel: 610-948-9688
fax: 610-948-4975

email: sales@pennsylvaniainsert.com
web: www.pennsylvaniainsert.com

Approved/Notes

Customer

Project

Job#

Ship Date

PA Insert Quote/Order#

Page ___ of ___

Fax to:

Fax#

From

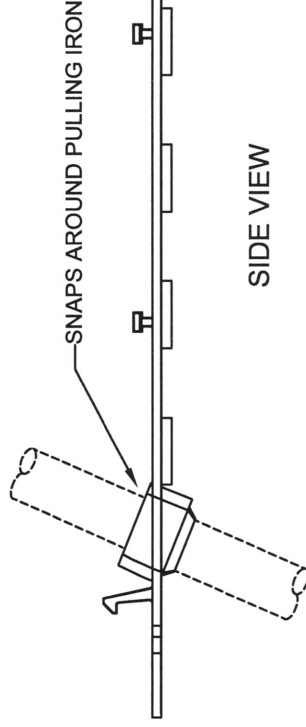
Date

NEW PULLING IRON SHIELD

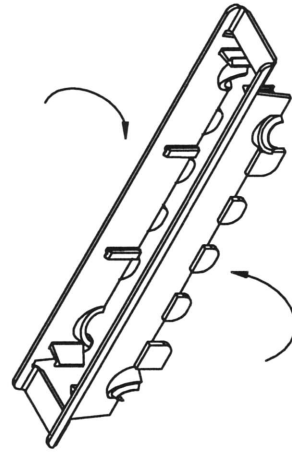
- FOR USE WITH NON-MOLDED PULLING IRONS AND PULLING IRON POCKET
- SHIELD SNAPS SECURELY ONTO NON-MOLDED PULLING IRON
- PULLING IRON SNAPS SECURELY INTO POCKET



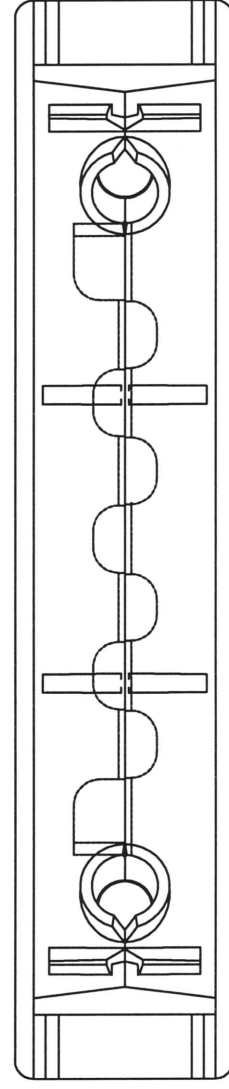
3D VIEW WITH PULLING IRON IN POCKET



SIDE VIEW



SIDES FOLD UP AND SNAP TOGETHER ONTO PULLING IRON



TOP VIEW