

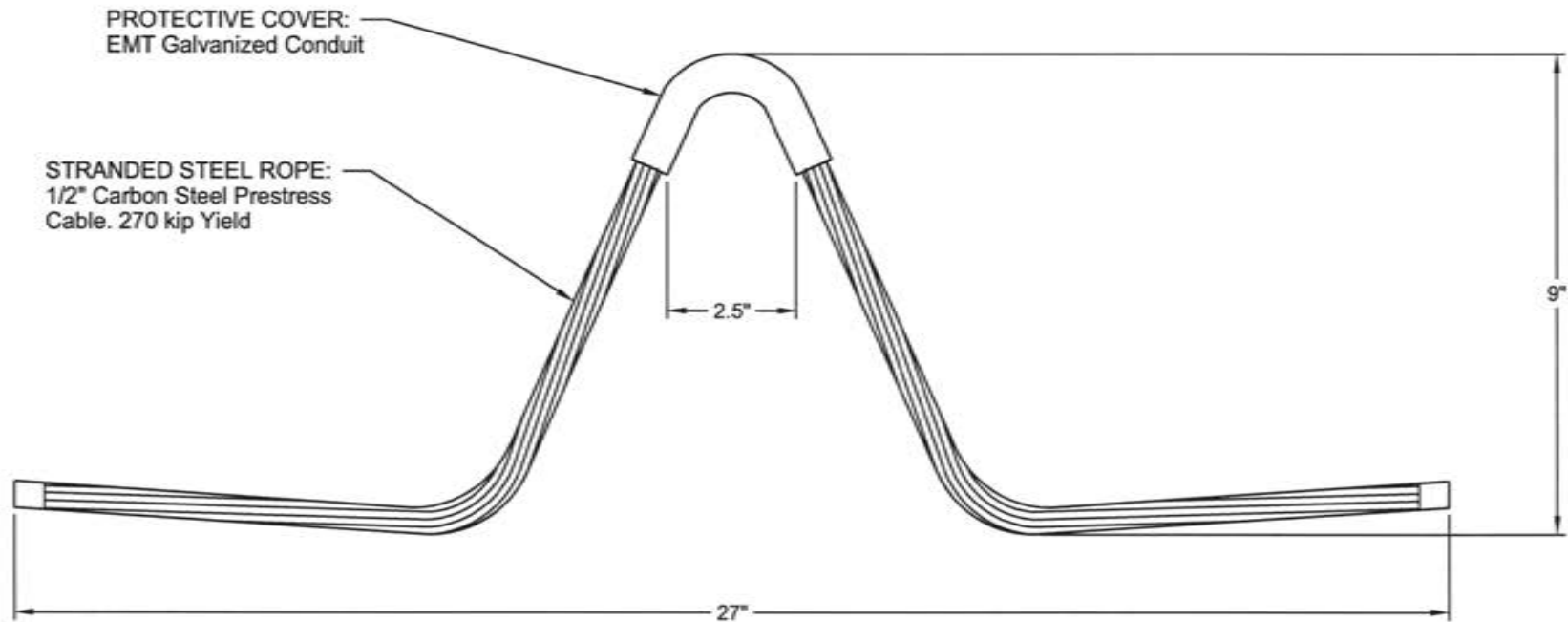
Attention: _____
From: _____
Fax #: _____
PA Insert Quote or Job Number: _____

Customer: _____
Project: _____
Job Number: _____
Ship Date: ____ / ____ / ____

Date: ____ / ____ / ____
Page ____ of ____

SINGLE STRAND, UPI CABLE: MODEL# PI-U1 (#1003)

SWL = 11,000 lbs

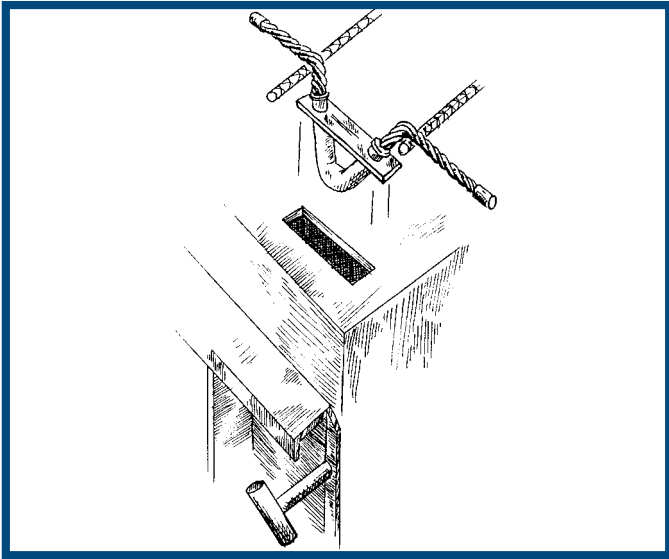


NO SCALE

12/08

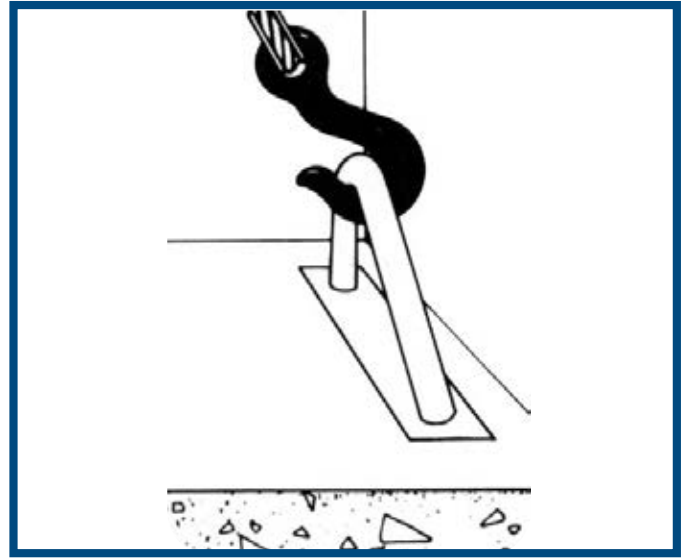
Pulling Iron

Installation Instructions



1

Measure and mark the form where Pulling Irons are needed and cut a 1.5" x 7" slot. Set up and oil form before installing Pulling Irons. This keeps the part free of oil and grease. Insert Pulling Iron into slot in form so that the shielding plate on the Pulling Iron covers the slot. This prevents slurry from leaking through the slot.



2

The pulling iron must be properly reinforced during installation for maximum strength. For complete instructions and safety guidelines consult PA Insert's supplementary installation guide.

STRONG, DURABLE & FLEXIBLE The original PI-1, the "superman" of pulling tools, is manufactured using Dupont's Hytel - a thermoplastic elastomer having remarkable properties of flexibility and strength. The PI-1 is designed for extremely demanding applications where strength and flexibility are of great importance. It has been tested to *40,000 pounds and bent to a 45 degree angle without cracking the plastic or causing permanent deformation. Utilities have been using this part for over twenty years with unparalleled success. The PI-2 has great strength capabilities - tested to *30,000 lbs, and can handle repeated pulls without "cracking under the pressure". The carbon steel strand is encased in high impact polypropylene creating a durable, strong, and affordable pulling tool. *These figures represent ultimate strength values, not safe working loads. Consult factory for installation and usage.

CUSTOM ORDERS CUSTOM ORDERS Whatever your requirements, we have the part. We stock both molded and unmolded parts for prompt shipment. In addition, we can manufacture special parts. If you need a pulling tool with special features or dimensions we can custom manufacture it for you.

USEFUL TIPS

1. Use pulling irons in conjunction with our Pocket accessory to save cutting slots in expensive steel forms.
2. Oil form before installing to keep P.I. free of oil and grease.

P PENNSYLVANIA
INSERT

*The purchaser acknowledges that PA Insert Corp. has no control over the installation or use of its products. Accordingly, PA Insert cannot assume responsibility for any damage to any property arising out of the improper use or installation of its products. PA Insert products are intended for use by trained, qualified, and experienced workers only. Misuse or lack of supervision & inspection can result in serious injury or death. All applications should be carefully field tested, safe working loads determined based on conditions, and all safety regulations followed.