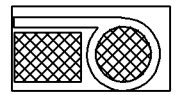


Fax to:	Customer	Approved/Notes
Fax#	Project	
From	Job#	Ship Date
Date	PA Insert Quote/Order#	Page ____ of ____

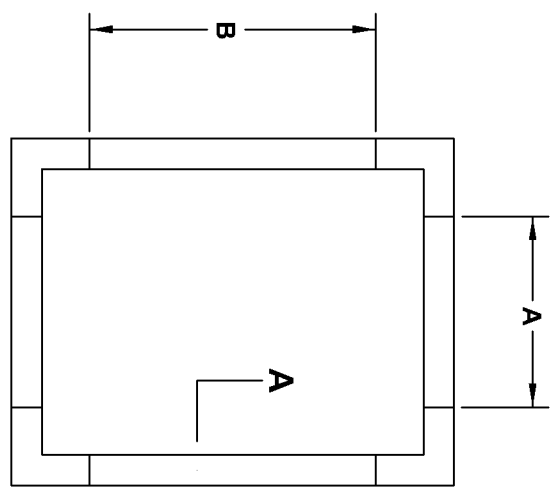
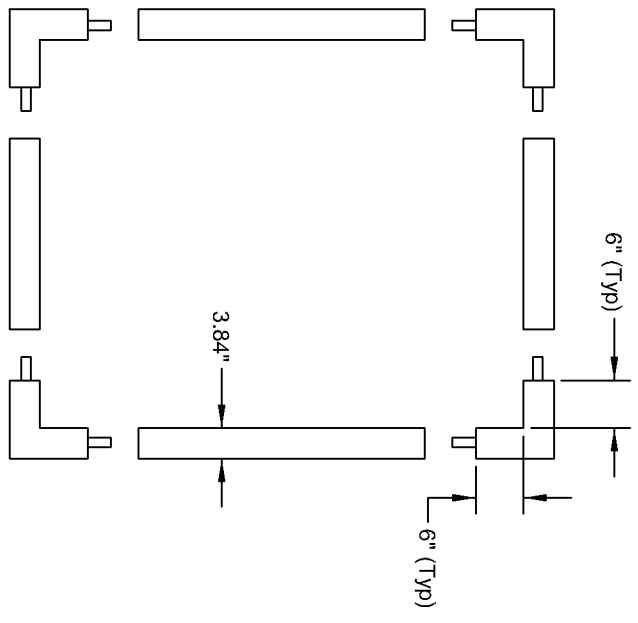
PA Insert Corp
 490 FIRST AVENUE
 ROYERSFORD, PA 19468
 TEL: 610-948-9688
 FAX: 610-948-4975

PA Insert Corp
 490 FIRST AVENUE
 ROYERSFORD, PA 19468
 TEL: 610-948-9688
 FAX: 610-948-4975
 email: sales@pennsylvaniainsert.com
 web: www.painser-t.com

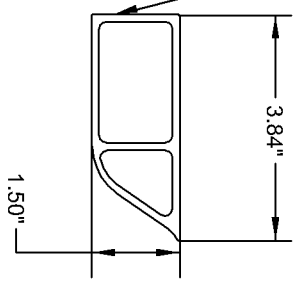


ALUMINUM HEADER detail FOR ADJUSTABLE PALLET SYSTEM.

FORM CORE SIZE	STRAIGHT DIMENSIONS		CORNERS NEEDED
	A	B	



A Flat Side against the Core

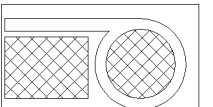


PLAN

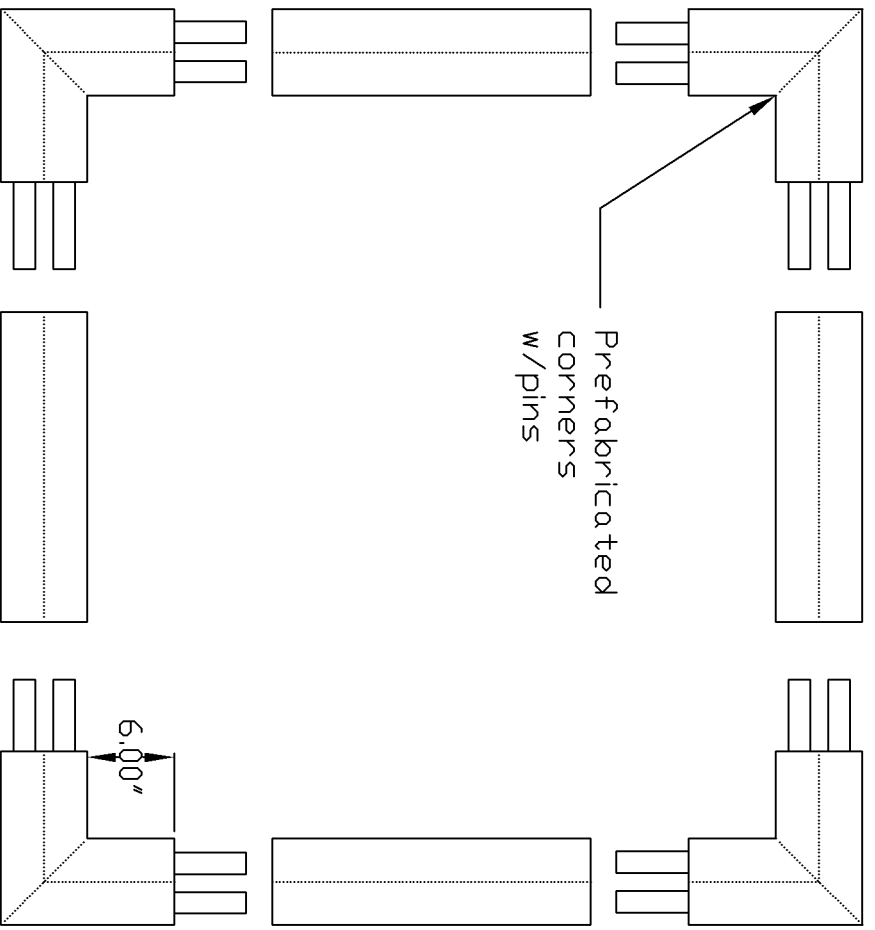
SECTION A - A

Fax to:	Customer	Approved/Notes
Fax#	Project	
From	Job#	Ship Date
Date	Quote/Order#	Page ___ of ___

PA Insert Corp		
490 FIRST AVENUE		
RDYERSFORD, PA 19468		
tel: 800-220-4857		
fax: 610-948-4975		
email: sales@pennsylvaniainsert.com		
web: www.painser.t.com		



ALUMINUM SHIPLAP ADJUSTABLE PALLET



QTY	A	B	C

