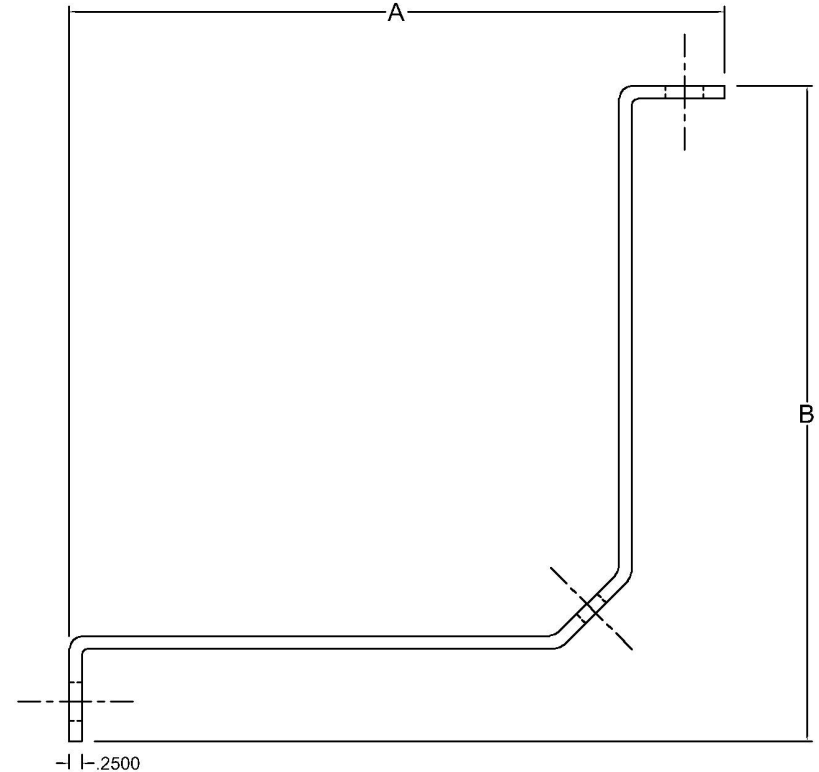
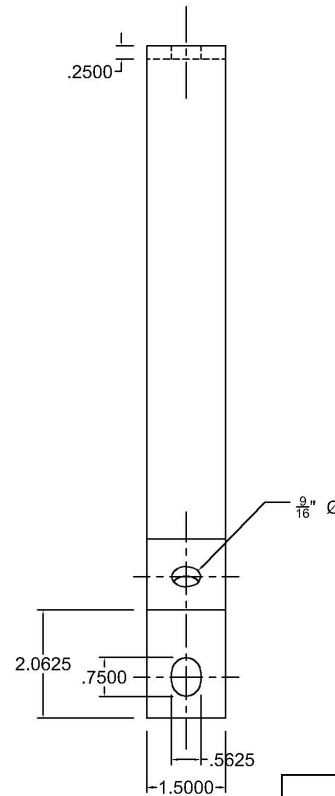
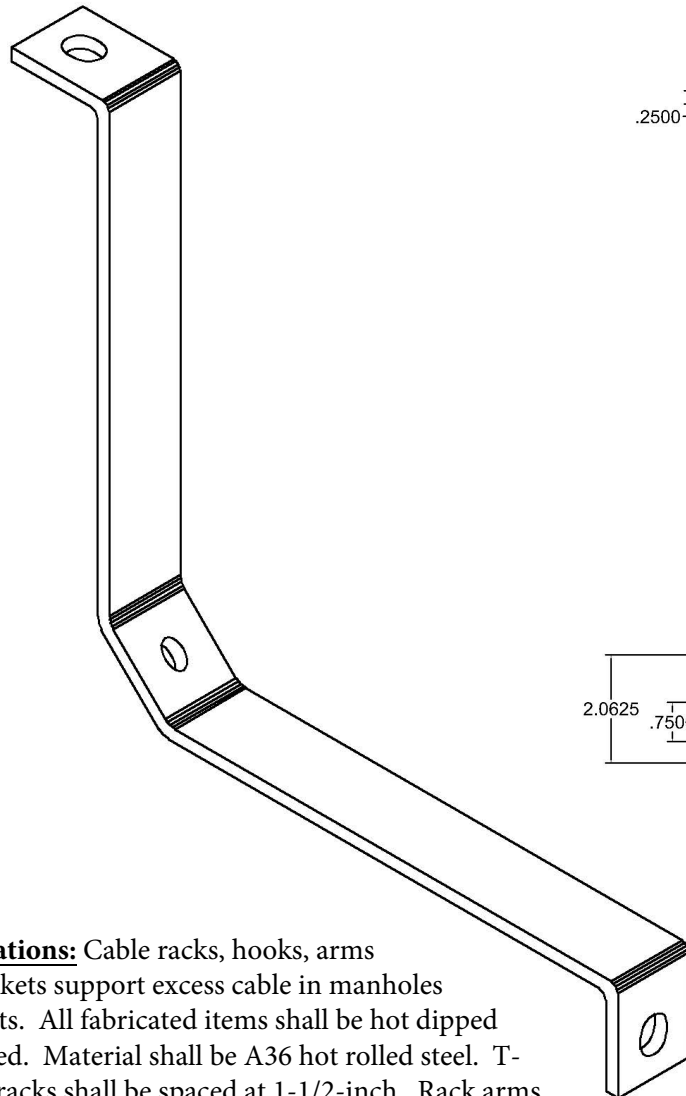


Attention: _____
 From: _____
 Fax #: _____
 PA Insert Quote or Job Number: _____

Customer: _____
 Project: _____
 Job Number: _____
 Ship Date: ___ / ___ / ___

Date: ___ / ___ / ___
 Page ___ of ___



Specifications: Cable racks, hooks, arms and brackets support excess cable in manholes and vaults. All fabricated items shall be hot dipped galvanized. Material shall be A36 hot rolled steel. T-slots on racks shall be spaced at 1-1/2-inch. Rack arms and hooks shall be mounted through T-slots on racks.

Corner Cable Rack Supports

Part #	Length (A)	Width (B)	Shipping Weight (ea.)
6716	12"	12"	3 lbs
8795	12-1/2"	9-1/4"	2.7 lbs
8796	18"	12"	3.6 lbs
8797	18"	18"	4.2 lbs