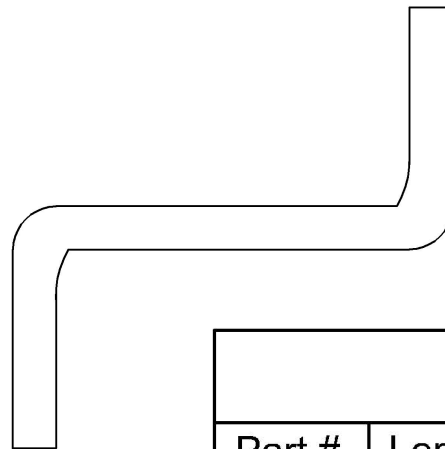
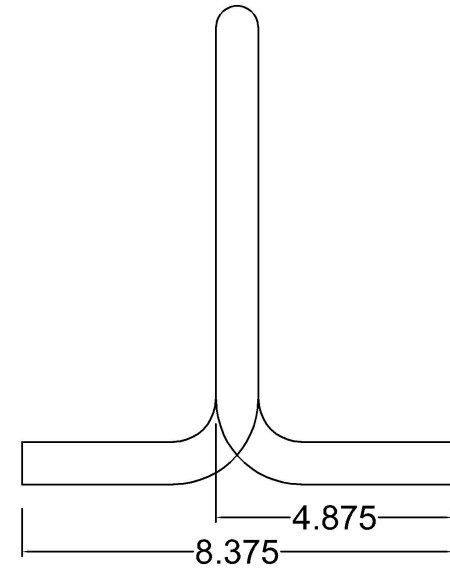
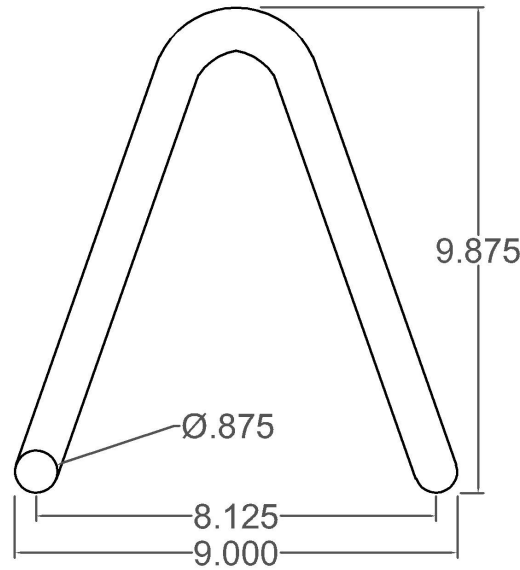
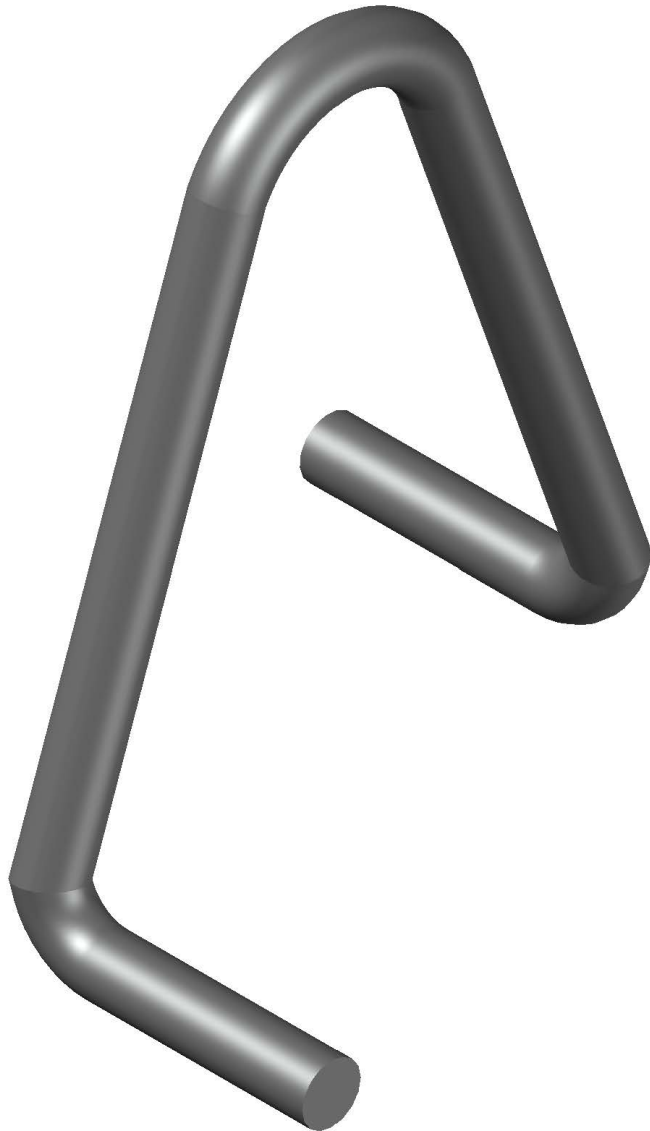


Attention: _____
 From: _____
 Fax #: _____
 PA Insert Quote or Job Number: _____

Customer: _____
 Project: _____
 Job Number: _____
 Ship Date: ____ / ____ / ____

Date: ____ / ____ / ____
 Page ____ of ____



Pulling Irons

Part #	Length	Height	Width	Shipping Weight (ea.)
6940	8.375"	9"	9"	4.45 lbs