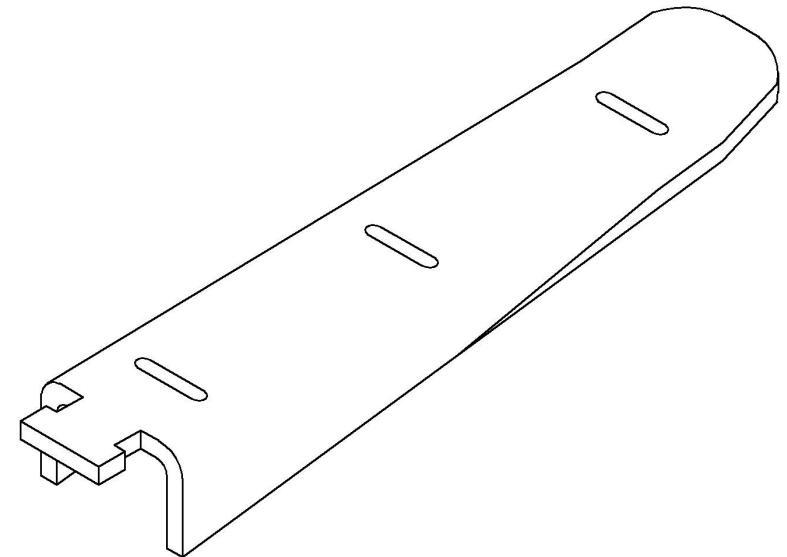
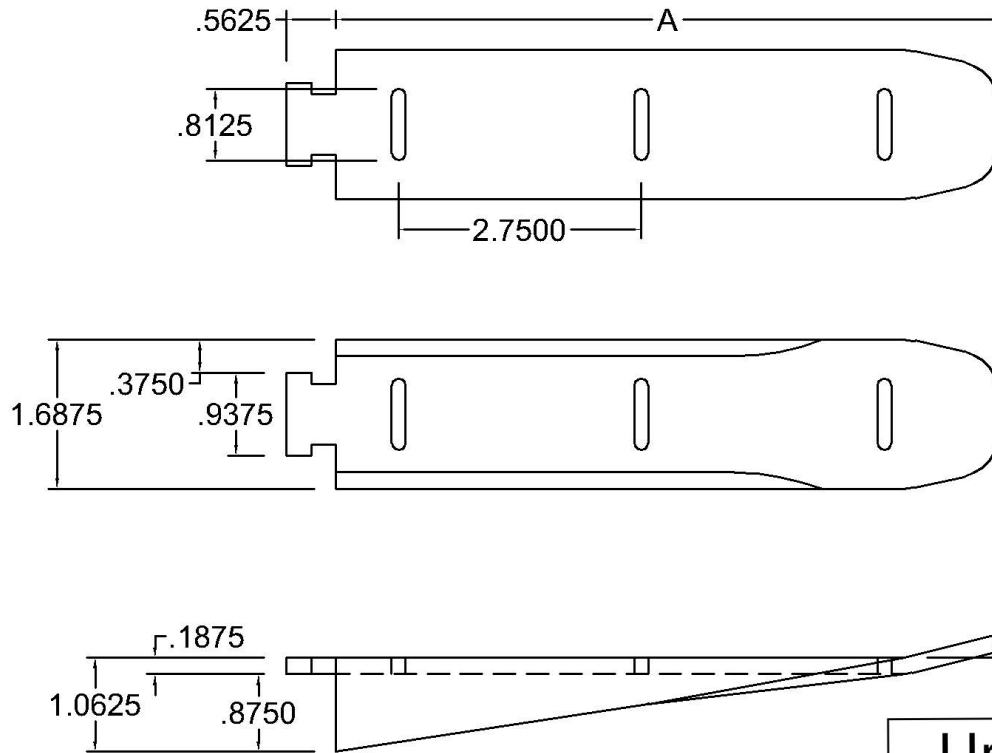


Attention: _____
 From: _____
 Fax #: _____
 PA Insert Quote or Job Number: _____

Customer: _____
 Project: _____
 Job Number: _____
 Ship Date: ____ / ____ / ____

Date: ____ / ____ / ____
 Page ____ of ____



Underground Cable Rack Hooks

| Part # | Length from Face of Rack (A) | Shipping Weight (ea.) |
|--------|------------------------------|-----------------------|
| 8798 | 4" | .8 lb |
| 6714 | 7-1/2" | 1 lb |
| 8790 | 10" | 1.3 lbs |
| 8791 | 14" | 1.6 lbs |
| 8792 | 18" | 2 lbs |

Specifications: Cable racks, hooks, arms and brackets support excess cable in manholes and vaults. All fabricated items shall be hot dipped galvanized. Material shall be A36 hot rolled steel. T-slots on racks shall be spaced at 1-1/2-inch. Rack arms and hooks shall be mounted through T-slots on racks.

