

Attention: _____
 From: _____
 Fax #: _____
 PA Insert Quote or Job Number: _____

Customer: _____
 Project: _____
 Job Number: _____
 Ship Date: ____ / ____ / ____

Date: ____ / ____ / ____

Page ____ of ____

"Justset" Watertight Pedestrian Loading Doors Specifications

Material: 1/4" (6mm) aluminum cover and extruded aluminum frame.

Cover: Diamond-pattern tread plate reinforced for 300 psf (1464 kg/m²) live load.

Frame: Extruded aluminum channel frame with anchor flanges around the perimeter. A 1-1/2" (38mm) PVC drain coupling is attached to the drip channel frame for a pipe connection to a dry well or disposal system. Gasket in frame for water resistance. Frame is constructed so no protuberances extend below frame for ease of pouring.

Hinges: Heavy duty Type 304 stainless steel hinges.

Latch: Type 316 stainless steel slam lock with fixed interior handle and removable exterior turn/lift handle.

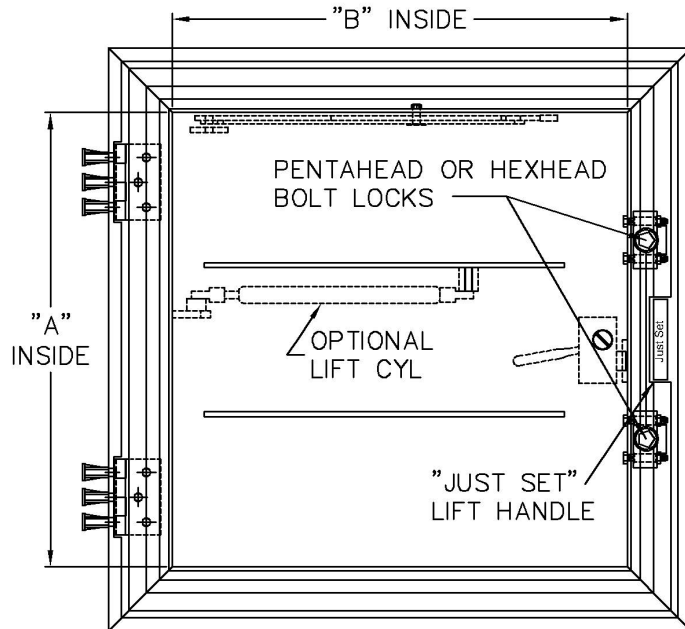
Latch release is protected by a flush, gasketed, removable screw plug.

Lift Assistance: Compression gas spring operators. Automatic hold-open arm with release handle automatically locks cover(s) in the open position.

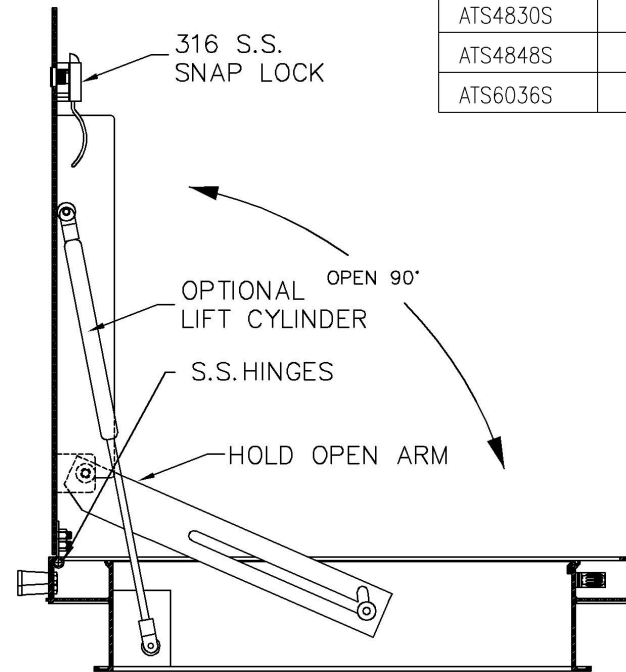
Finish: Mill Finish aluminum with a bituminous coating applied to the exterior of the frame.

Hardware: Type 304 stainless steel throughout except where noted.

PROD. NO.	DIM "A"	DIM "B"
ATS2424S	24"	24"
ATS3024S	30"	24"
ATS3624S	36"	24"
ATS3030S	30"	30"
ATS3630S	36"	30"
ATS3636S	36"	36"
ATS4230S	42"	30"
ATS4242S	42"	42"
ATS4824S	48"	24"
ATS4830S	48"	30"
ATS4848S	48"	48"
ATS6036S	60"	36"



SEE THROUGH PLAN VIEW



SEE THROUGH OPEN VIEW