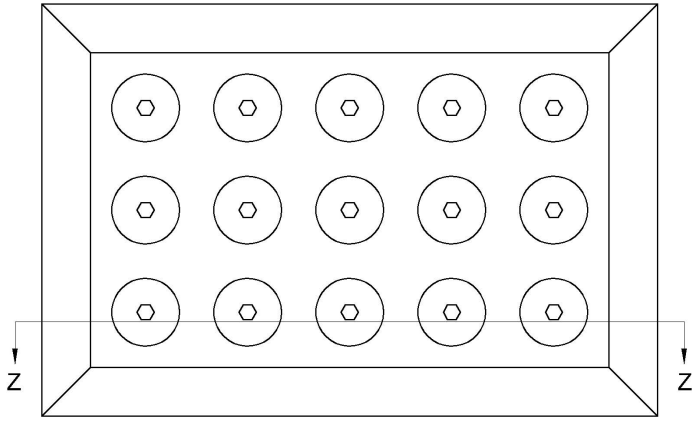


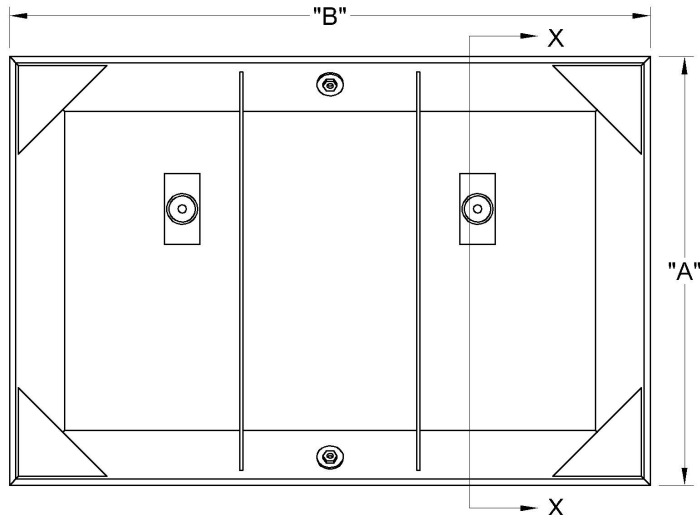
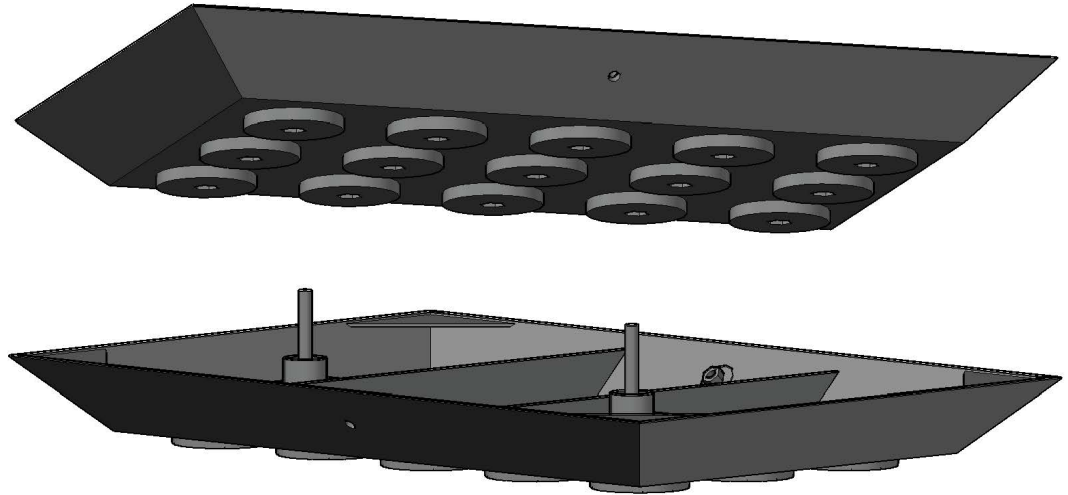
Attention: _____
From: _____
Fax #: _____
PA Insert Quote or Job Number: _____

Customer: _____
Project: _____
Job Number: _____
Ship Date: ____ / ____ / ____

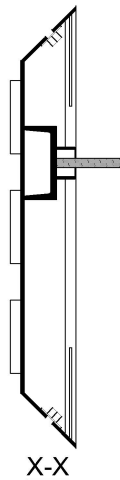
Date: ____ / ____ / ____
Page ____ of ____



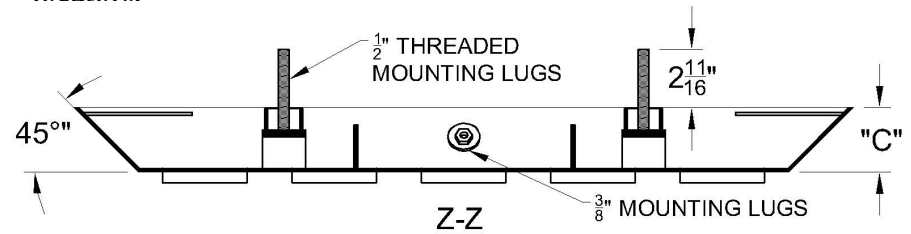
KNOCKOUT BUTTONBOARD PANEL - OUTSIDE



KNOCKOUT BUTTONBOARD PANEL - INSIDE



- A36 Steel construction, Reinforced for long operational life.
- 1/2" dia. mounting lugs, located per your specifications.
- 3/8" handling points for installing panel on form work.
- Please specify the size, quantity and spacing of duct terminator locators.



Knockout Buttonboard Panels

Quantity	Length (A)	Width (B)	Depth (C)	Term. Size	Qt.