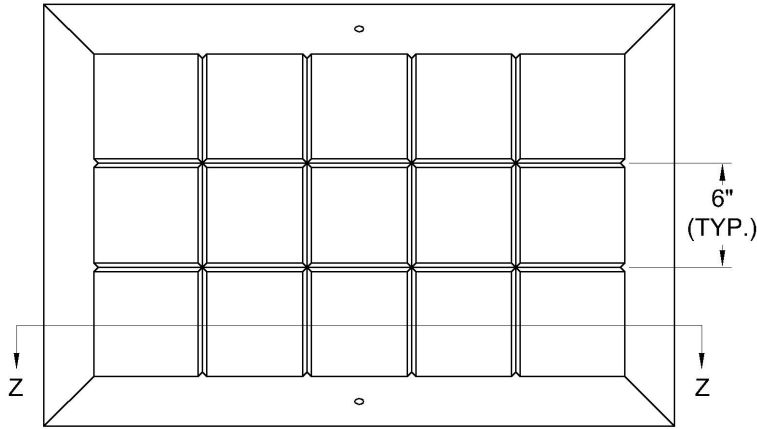


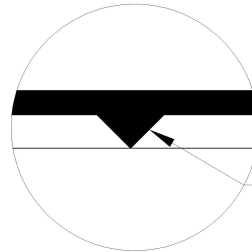
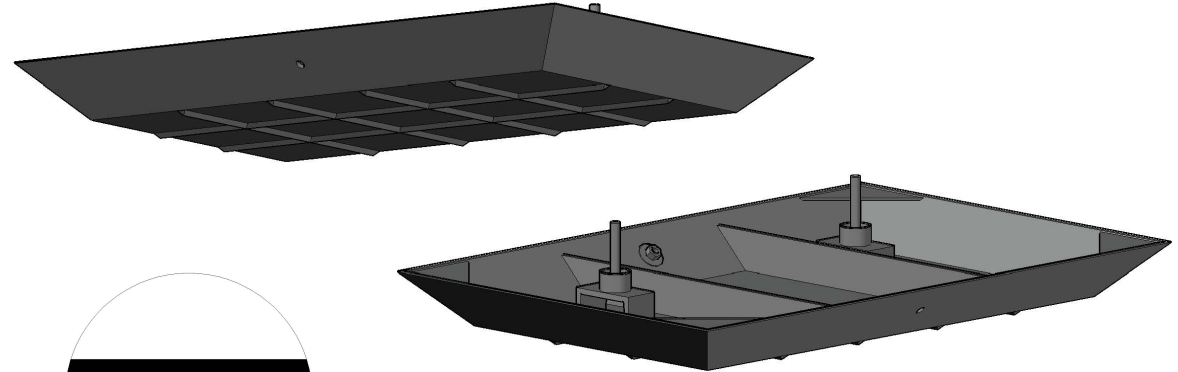
Attention: _____
From: _____
Fax #: _____
PA Insert Quote or Job Number: _____

Customer: _____
Project: _____
Job Number: _____
Ship Date: ____ / ____ / ____

Date: ____ / ____ / ____
Page ____ of ____



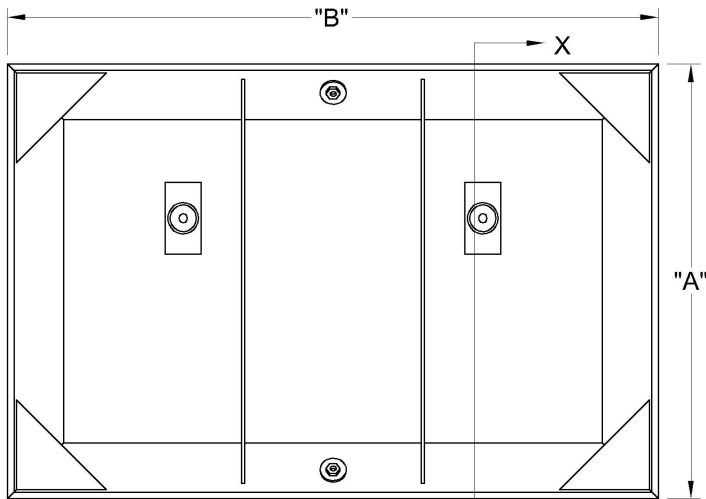
KNOCKOUT PANEL - OUTSIDE



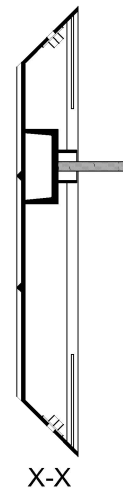
DETAIL A

1" x 1/2"
CHAMFER
(TYP.)

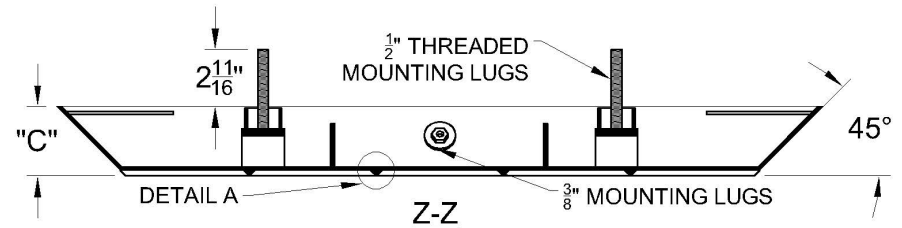
- A36 Steel construction, Reinforced for long operational life.
- Chamfer grid pattern isolates "knocked out" areas by creating fracture lines.
- 1/2" dia. mounting lugs, located per your specifications.
- 3/8" handling points for installing panel on form work.



KNOCKOUT PANEL - INSIDE



X-X



Knockout Panels

Quantity	Length (A)	Width (B)	Depth (C)	Grid