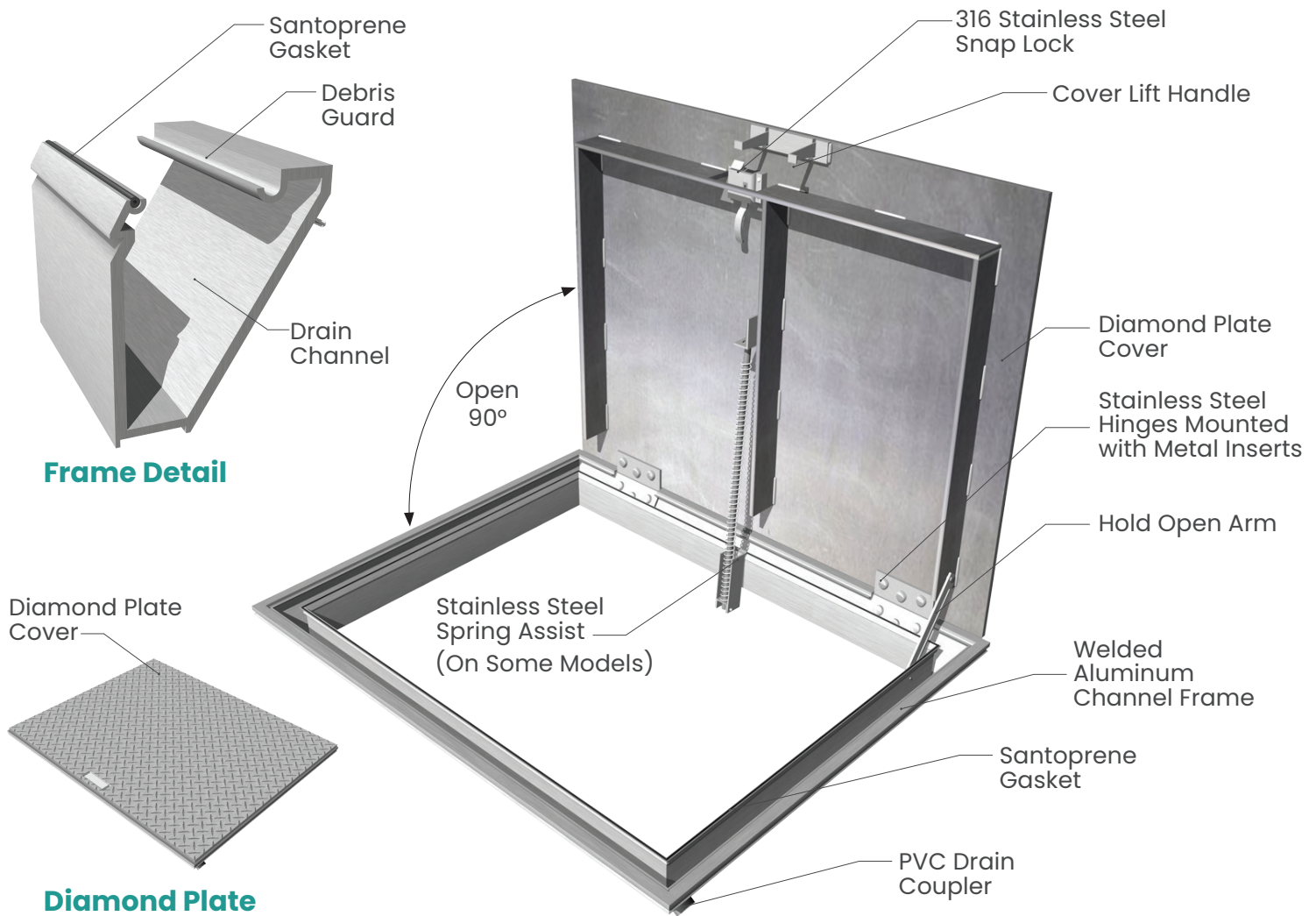


## Aluminum Watertight Access Door

Single leaf pedestrian load rated watertight access doors from Pennsylvania Insert are designed and engineered to safely provide access in applications where there is a concern of water or other liquids entering the access opening. Options available include frame extensions (skirts) to meet slab thickness, insulation, fall protection gratings, safety chains and posts, anodized finish, and many more.

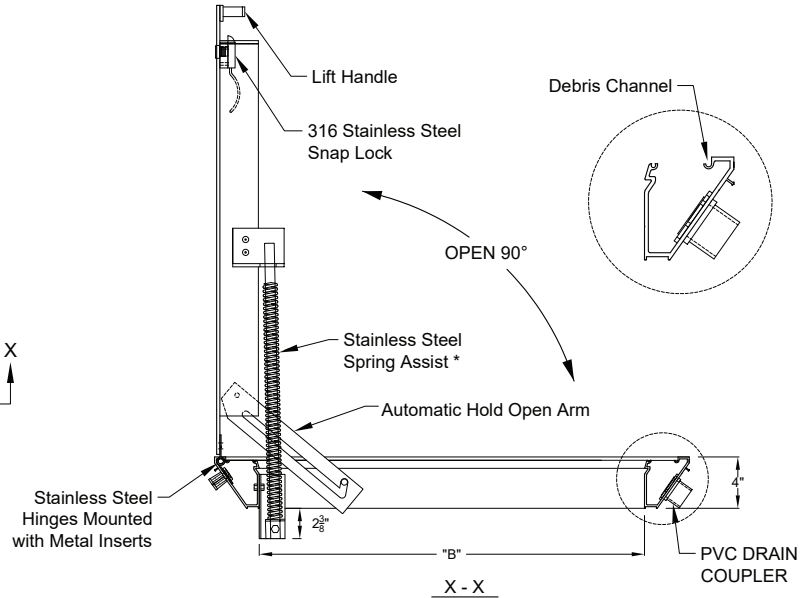
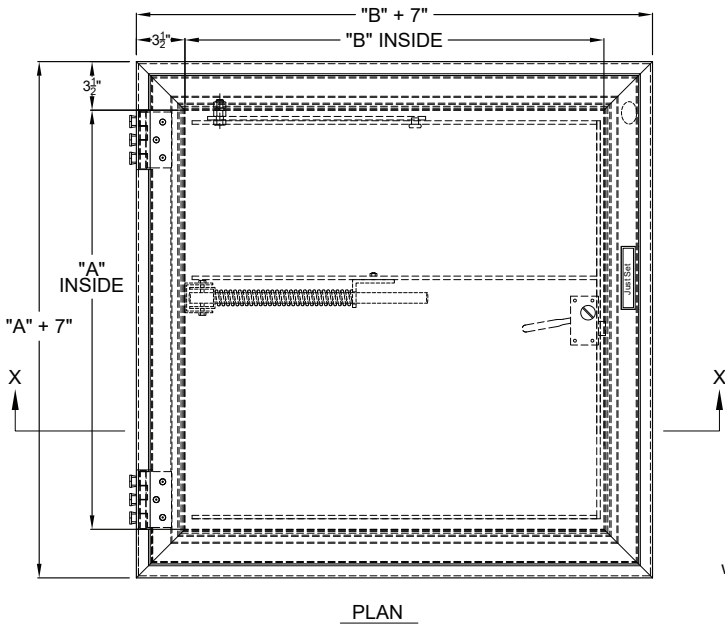


### Features

- Pedestrian load rating. (300 lbs./s.f.)
- Comes standard with 316 S.S. snap lock and S.S. lift assist on some models or as requested.
- Optional locks include, Staple for padlock, Recessed hasp for padlock, Pentahead bolt-downs.
- Custom sizes available

**Please Call Us for a Quote**

**Palninsert.com | 800-220-4857**



### Specifications

- **Material:** Aluminum cover and extruded aluminum frame.
- **Cover:** Diamond-pattern tread plate reinforced for 300 psf (1464 kg/m<sup>2</sup>) live load.
- **Frame:** Extruded aluminum channel frame with anchor flanges around the perimeter. A 1-1/2" (38mm) PVC drain coupling is attached to the drip channel frame for a pipe connection to a dry well or disposal system. Gasket in frame for water resistance.
- **Hinges:** Heavy duty Type 304 stainless steel hinges.
- **Latch:** Type 316 stainless steel slam lock with fixed interior handle and removable exterior turn/lift handle. Latch release is protected by a flush, gasketed, removable screw plug.
- **Lift Assistance:** Stainless Steel spring assist on some models \*. (Compression gas spring optional). Aluminum hold-open arm automatically locks cover in the open position.
- **Finish:** Mill Finish aluminum with a electrolytic barrier applied to the exterior of the frame.
- **Hardware:** Type 304 stainless steel throughout except where noted.

PART #	DIM "A"	DIM "B"
AWS2424S	24"	24"
AWS3024S	30"	24"
AWS3624S	36"	24"
AWS3030S	30"	30"
AWS3630S *	36"	30"
AWS3636S *	36"	36"
AWS4830S *	48"	30"
AWS4836S *	48"	36"
AWS4242S *	42"	42"

Models with \* receive assist